



2027

Outdoor Power Equipment North American Catalog

Who we are

Electric Pressure Washers

Commercial Electric Pressure Washers

Gas Pressure Washers

Lawn Mowers

Portable Generators

Power Stations

Silent Inverter Generators

Water Pumps

Pressure Washers Accessories

4

12

20

24

26

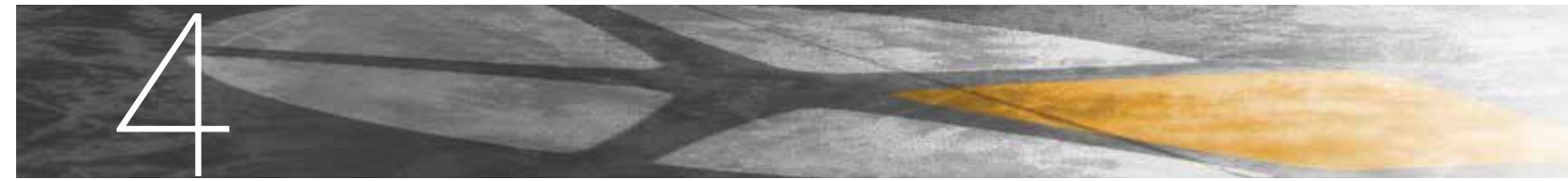
36

42

50

60

66





Powerplay delivers high-quality products that are focused on exciting designs that deliver an exceptional level of customer user satisfaction. Continuously researching and developing new markets, the company continues to gain traction with new technologies and unique design innovation.

Powerplay Corporation was built on the foundation of hard-working family people with a common goal, to provide all people with a good quality product and develop lasting impressions and relationships.

Family and business relationships are most important, solidified by revolutionary product designs and exceptional customer service.

Afforded the chance to strengthen our position, we can promise that each year, your customers will have the most visually attractive, professional quality and enhanced program assortment to suit their needs.

SHAWN KAHAN EXECUTIVE VICE PRESIDENT



SPYDER®



SPYDER®

With the revolutionary SPYDER® taking over the North American market, the time to expand the SPYDER® brand into 4 category segments was upon us. Make way for the SPYDER®MINI™, SPYDER®PULSE™, SPYDER®DROPTOP™ and SPYDER®PRO™ that offers a wide range of performance and key features to suit all user demands.



FOUR-WHEEL
360-DEGREE STEERING



ANTI TIP-OVER
ENGINEERING



ULTRA
COMPACT



Find the pressure washer that is right for you.

Choosing the right pressure washer can be a daunting task, but it is important to consider several factors to make sure you get the best fit for your needs. First, consider the cleaning task at hand - is it a light, occasional task or a heavy, frequent one? Secondly, consider the pressure washer's features, such as portability, adjustable pressure, and various nozzles. By considering these factors, you can find a pressure washer that will effectively and efficiently fulfill your cleaning needs.

SPYDER[®] MINI[™]



SPYDER[®] PULSE[™]



SPYDER[®] DROPTOP[™]



SPYDER[®] PRO[™]



LIGHT



Light duty applications are typically household applications, outdoor furniture, patio, kids play ground, garage floors and vehicle wash.

MID

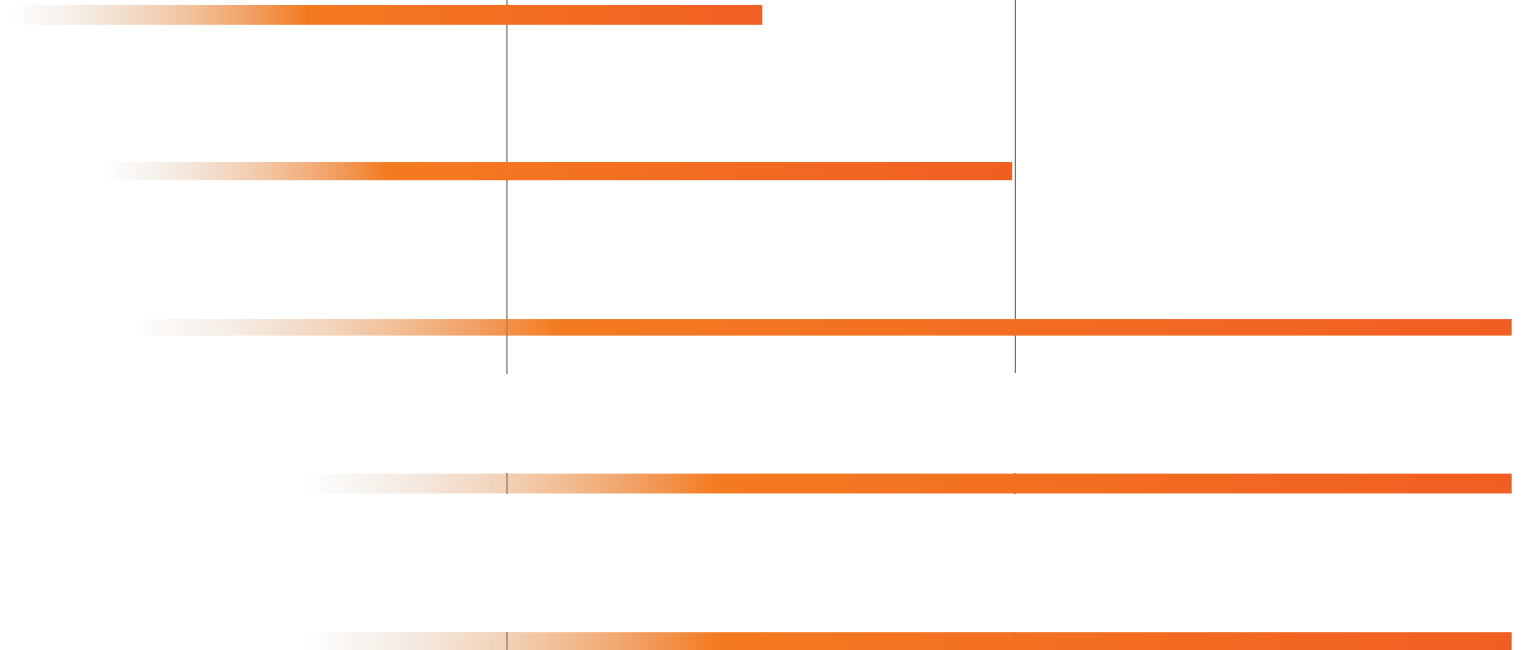


Medium Duty applications are applications that require longer clean times. Higher GPM's will offer more rinsing power and reducing cleaning time. Common mid duty applications are pick up trucks, ATV, boats, larger patios and driveways.

HD



Heavy Duty applications will require more PSI and equal or less GPM that mid duty applications. PSI is what you will require to remove stubborn grease and grime. Residential homes that are on the country side, barns, second story windows, off road vehicles, transport trucks are some of the Heavy Duty Applications.



SPYDER[®]

MINI[™]

4-Wheel 360° Steering

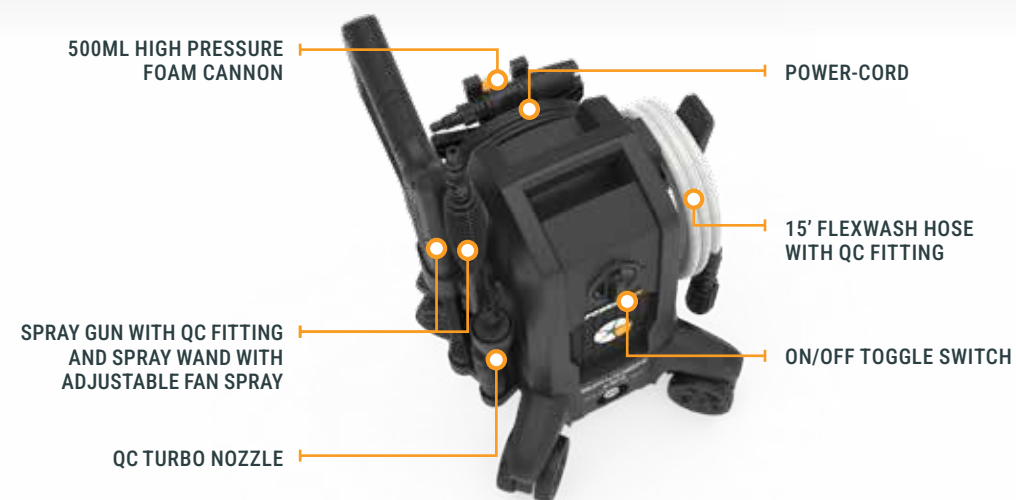
Ultra Compact Design

Anti-Tip Over



1700PSI

MODEL #	VOLTAGE/ FREQUENCY/ AMPERAGE	PSI / GPM	POWER-CORD	CERTIFICATION
SPYM1700V	120V/60Hz/12A	1700 / 1.2	35' GFCI	CSA / USA
SPYM1700VC	120V/60Hz/12A	1700 / 1.2	25' 2-PRONG	CSA / CANADA



SPYDER[®]

MINI[™]

4-Wheel 360° Steering

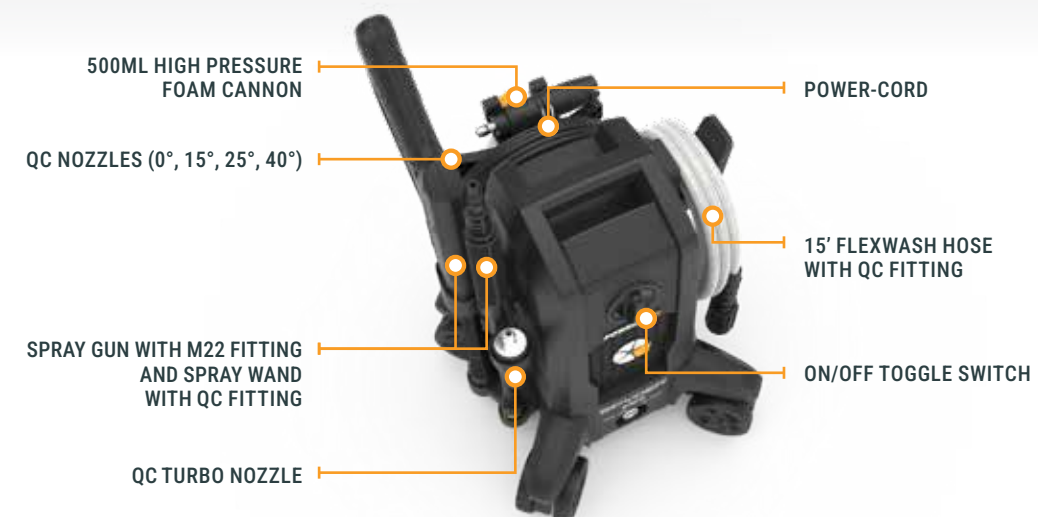
Ultra Compact Design

Anti-Tip Over



1900PSI

MODEL #	VOLTAGE/ FREQUENCY/ AMPERAGE	PSI / GPM	POWER-CORD	CERTIFICATION
SPYM1900V	120V/60Hz/13A	1900 / 1.2	35' GFCI	CSA / USA
SPYM1900VC	120V/60Hz/13A	1900 / 1.2	25' 2-PRONG	CSA / CANADA



SPYDER® PULSE™

4-Wheel 360° Steering

Ultra Compact Design

Anti-Tip Over



2100PSI

MODEL #	VOLTAGE/ FREQUENCY/ AMPERAGE	PSI / GPM	POWER-CORD	CERTIFICATION
SPY2100X	120V/60Hz/13A	2100 / 1.5	35' GFCI	CSA / USA
SPY2100XC	120V/60Hz/13A	2100 / 1.5	25' 2-PRONG	CSA / CANADA

POWERPLAY® High Flow Washer

Ideal For Motorsport Enthusiasts

2.0 GPM Rinsing Power

Nozzle Domes for
Vehicle Paint Protection

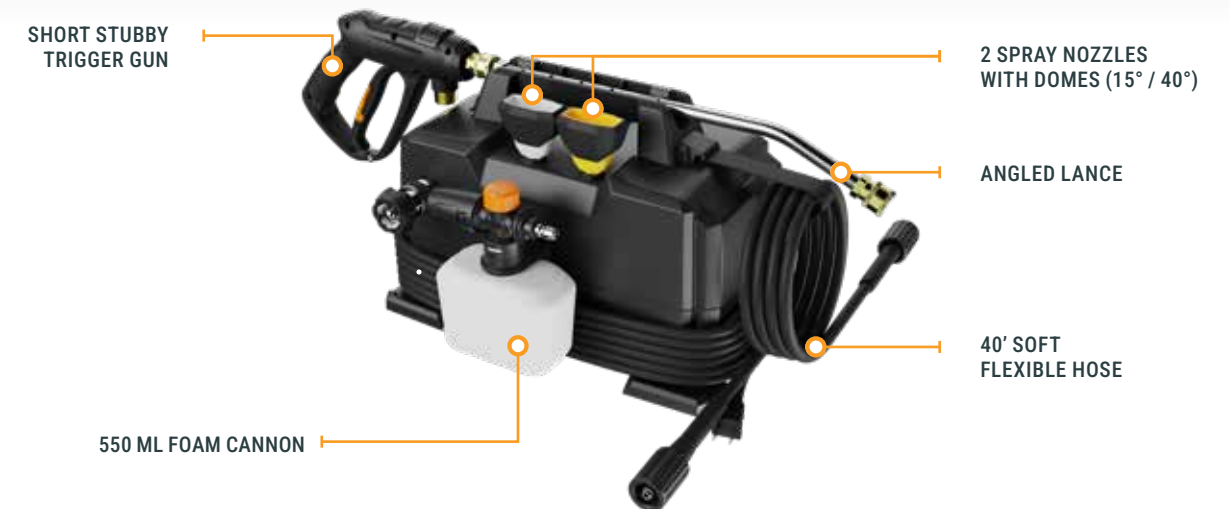
Angled Lance to Easily Access

Vehicle Roof Tops and Undercarriage



2.0GPM

MODEL #	VOLTAGE/ FREQUENCY/ AMPERAGE	PSI / GPM	POWER-CORD	CERTIFICATION
PL1000Y	120V/60Hz/13A	1000 / 2.0	35' GFCI	CSA / USA
PL1000YC	120V/60Hz/13A	1000 / 2.0	25' 2-PRONG	CSA / CANADA



SPYDER[®] DROPTOP™

4-Wheel 360° Steering

Ultra Compact Design

Anti-Tip Over

Integrated Active Hose Reel



Patent Pending

2050-2500PSI

MODEL #	VOLTAGE/ FREQUENCY/ AMPERAGE	PSI / GPM	POWER-CORD	CERTIFICATION
SPYD2050Y	120V/60Hz/14.3A	2050 / 1.5	35' GFCI	CSA / USA
SPYD2050YC	120V/60Hz/14.3A	2050 / 1.5	25' 2-PRONG	CSA / CANADA
SPYD2200Y	120V/60Hz/14.3A	2200 / 1.5	35' GFCI	CSA / USA
SPYD2200YC	120V/60Hz/14.3A	2200 / 1.5	25' 2-PRONG	CSA / CANADA
SPYD2500Y	120V/60Hz/14.3A	2500 / 1.5	35' GFCI	CSA / USA
SPYD2500YC	120V/60Hz/14.3A	2500 / 1.5	25' 2-PRONG	CSA / CANADA

SPYDER[®] PRO™

4-Wheel 360° Steering

Ultra Compact Design

Anti-Tip Over

Induction Motor



Patent Pending

2300-2700PSI

MODEL #	VOLTAGE/ FREQUENCY/ AMPERAGE	PSI / GPM	POWER-CORD	CERTIFICATION
SPY2300XP	120V/60Hz/13A	2300 / 1.4	35' GFCI	CSA / USA
SPY2300XPC	120V/60Hz/13A	2300 / 1.4	25' 2-PRONG	CSA / CANADA
SPY2700XP	120V/60Hz/13A	2700 / 1.3	35' GFCI	CSA / USA
SPY2700XPC	120V/60Hz/13A	2700 / 1.3	25' 2-PRONG	CSA / CANADA



Model Comparison Chart



SERIES	POWERPLAY HIGH FLOW	SPYDER MINI	SPYDER MINI	SPYDER PULSE
MODEL #	PL1000YC	SPYM1700V	SPYM1900V	SPY2100X
PUMP TYPE	AXIAL CAM	AXIAL CAM	AXIAL CAM	AXIAL CAM
PUMP MATERIAL	ALUMINIUM	ALUMINIUM	ALUMINIUM	ALUMINIUM
MAX PRESSURE (PSI)	1000	1700	1900	2100
MAX WATER FLOW (GPM)	2.0	1.2	1.2	1.5
AUTO STOP SYSTEM	✓	✓	✓	✓

MOTOR SPECIFICATIONS

MOTOR TYPE	CARBON BRUSH	CARBON BRUSH	CARBON BRUSH	CARBON BRUSH
VOLTAGE / FREQUENCY	120V / 60Hz	120V / 60Hz	120V / 60Hz	120V / 60Hz
AMPERAGE	13.0	12.0	13.0	13.0
STARTER	ON/OFF BUTTON	TOGGLE SWITCH	TOGGLE SWITCH	PUSH START

STANDARD ACCESSORIES

GUN/LANCE TYPE	M22	M22/BAYONET	M22/BAYONET	M22
LANCE MATERIAL	STEEL	PLASTIC	PLASTIC	STEEL
NOZZLE TYPE	QC 15° / 40° with Dome	VARIABLE + TURBO	QC (0° / 15° / 25° / 40° / TURBO)	QC (0° / 15° / 25° / 40° / TURBO)
HOSE TYPE	40' / PVC / M22	15' / PVC / M22	15' / PVC / M22	25' / PVC / M22
HOSE REEL	-	-	-	-
POWER-CORD (CAN/USA)	25' 2-PRONG / 35' GFCI	25' 2-PRONG / 35' GFCI	25' 2-PRONG / 35' GFCI	25' 2-PRONG / 35' GFCI
DETERGENT SYSTEM	550ML HP FOAM CANNON	500ML HP FOAM CANNON	500ML HP FOAM CANNON	1000ML HP FOAM CANNON
BODY STYLE	ULTRA COMPACT	ULTRA COMPACT	ULTRA COMPACT	ULTRA COMPACT
WHEELS	-	4-WHEEL 360° STEERING	4-WHEEL 360° STEERING	4-WHEEL 360° STEERING

PACKAGING INFORMATION

WEIGHT (LBS)	19.50	18.15	18.50	23.80
PACKAGING DIMENSIONS (L"xW"xH")	15 x 11.5 x 10.25	11.5 x 12 x 18	11.5 x 12 x 18	11 x 12.5 x 20
CONTAINER LOADING QUANTITY (20FT/40FT/40FT HC)	1008 / 2066 / 2320	720 / 1300 / 1722	720 / 1300 / 1722	600 / 1180 / 1480
TRUCKLOAD QUANTITY	2400	1248	1248	1248
PALLET QUANTITY	40	24	24	24
CERTIFICATION	CSA	CSA	CSA	CSA
APPLICATIONS	LD	LD	LD	MD



SERIES	SPYDER DROPTOP	SPYDER DROPTOP	SPYDER DROPTOP	SPYDER PRO	SPYDER PRO
MODEL #	SPYD2050Y	SPYD2200Y	SPYD2500Y	SPY2300XP	SPY2700XP
PUMP TYPE	AXIAL CAM	AXIAL CAM	AXIAL CAM	AXIAL CAM	AXIAL CAM
PUMP MATERIAL	ALUMINIUM	ALUMINIUM	ALUMINIUM	ALUMINIUM	ALUMINIUM
MAX PRESSURE (PSI)	2050	2200	2500	2300	2700
MAX WATER FLOW (GPM)	1.5	1.5	1.5	1.4	1.3
AUTO STOP SYSTEM	✓	✓	✓	✓	✓

MOTOR TYPE	CARBON BRUSH	CARBON BRUSH	CARBON BRUSH	INDUCTION	INDUCTION
VOLTAGE / FREQUENCY	120V / 60Hz	120V / 60Hz	120V / 60Hz	120V / 60Hz	120V / 60Hz
AMPERAGE	14.3	14.3	14.3	13.0	13.0
STARTER	PUSH START	PUSH START	PUSH START	PUSH START	PUSH START

GUN/LANCE TYPE	M22	M22	M22	M22	M22
LANCE MATERIAL	STEEL	STEEL	STEEL	STEEL	STEEL
NOZZLE TYPE	QC (0° / 15° / 25° / 40° / TURBO)	QC (0° / 15° / 25° / 40° / TURBO)	QC (0° / 15° / 25° / 40° / TURBO)	QC (0° / 15° / 25° / 40° / TURBO)	QC (0° / 15° / 25° / 40° / TURBO)
HOSE TYPE	25' / RUBBER / M22	25' / RUBBER / M22	25' / RUBBER / M22	25' / PVC / M22	25' / PVC / M22
HOSE REEL	✓	✓	✓	-	-
POWER-CORD (CAN/USA)	25' 2-PRONG / 35' GFCI	25' 2-PRONG / 35' GFCI	25' 2-PRONG / 35' GFCI	25' 2-PRONG / 35' GFCI	25' 2-PRONG / 35' GFCI
DETERGENT SYSTEM	1000ML HP FOAM CANNON	1000ML HP FOAM CANNON	1000ML HP FOAM CANNON	1000ML HP FOAM CANNON	1000ML HP FOAM CANNON
BODY STYLE	ULTRA COMPACT	ULTRA COMPACT	ULTRA COMPACT	ULTRA COMPACT	ULTRA COMPACT
WHEELS	4-WHEEL 360° STEERING	4-WHEEL 360° STEERING	4-WHEEL 360° STEERING	4-WHEEL 360° STEERING	4-WHEEL 360° STEERING

WEIGHT (LBS)	24.00	26.00	28.00	45.25	46.70
PACKAGING DIMENSIONS (L"xW"xH")	13 x 14.5 x 20.5	13 x 14.5 x 20.5	13 x 14.5 x 20.5	15 x 15.5 x 20	15 x 15.5 x 20
CONTAINER LOADING QUANTITY (20FT/40FT/40FT HC)	452 / 930 / 1110	452 / 930 / 1110	452 / 930 / 1110	336 / 720 / 900	336 / 720 / 900
TRUCKLOAD QUANTITY	936	936	936	936	936
PALLET QUANTITY	18	18	18	18	18
CERTIFICATION	CSA	CSA	CSA	CSA	CSA
APPLICATIONS	LD / MD / HD	LD / MD / HD	LD / MD / HD	HD	HD

POWERPLAY[®]

Commercial Electric Pressure Washer



Direct Drive - Triplex Pump

1.5 / 2.0 HP 1750 RPM

Electric Motor TEFC 120V

140°F Thermal Valve

1000-1500PSI

MODEL #	HP/VOLTAGE/ PHASE/ AMPERAGE	PSI / GPM	POWER-CORD	CERTIFICATION
PW1023GP	2.0HP/120V/1/15.8A	1000 / 3.0	20' NEMA 5-20P	CSA
PW10152GP	1.5HP/120V/1/13.0A	1200 / 2.2	20' NEMA 5-15P	CSA
PW15222GP	1.5HP/120V/1/15.8A	1500 / 2.2	20' NEMA 5-20P	CSA

POWERPLAY[®]

Commercial Electric Pressure Washer



Direct Drive - Triplex Pump

5 / 10 HP 1750 RPM

Electric Motor TEFC 240V

140°F Thermal Valve

1500-4000PSI

MODEL #	HP/VOLTAGE/ PHASE/ AMPERAGE	PSI / GPM	POWER-CORD	CERTIFICATION
PW15548AR	5.0HP/240V/1/20A	1500 / 4.8	15' NEMA 6-30P	CSA
PW20537GP	5.0HP/240V/1/20A	2000 / 3.7	15' NEMA 6-30P	CSA
PW25530GP	5.0HP/240V/1/20A	2500 / 3.0	15' NEMA 6-30P	CSA
PW401035AR	10.0HP/240V/1/42A	4000 / 3.5	15' NEMA 6-50P	CSA
PW20537GP	5.0HP/240V/3/14-6.5-5.4A	2000 / 3.7	15' NO PLUG	CSA
PW401035AR	10.0HP/240V/3/27-13-9.8A	4000 / 3.5	15' NO PLUG	CSA

- HIGH QUALITY EXTERNAL UNLOADER WITH EXTERNAL BYPASS FOR BETTER DURABILITY AND PERFORMANCE
- LONG LASTING LOW RPM DURABLE, TRIPLEX, OIL-BATH, HIGH-PRESSURE PUMP, WITH THREE CERAMIC PISTONS AND FORGED MANIFOLD, BACKED BY AN INDUSTRY-LEADING WARRANTY
- TRIGGER GUN AND ERGONOMIC 36" STAINLESS STEEL LANCE WAND
- 50' HOSE WITH 1 WIRE 3/8" 4000 PSI NO MARKING HOSE.
- AUTOMATIC START & STOP DEVICE
- RELIABLE ELECTRIC MOTOR WITH TOTALLY ENCLOSED FAN-COOLED (TEFC) SYSTEM
- MOBILE FRAME MADE OF 1 1/4" STEEL, PAINTED WITH AN EPOXY POWDER COAT FINISH FOR ALL-WEATHER RESISTANCE
- VIBRATION-ABSORBING 10" TUBED PNEUMATIC TIRES WITH STEEL WHEELS FOR ALL-TERRAIN MANEUVERING.

- HIGH QUALITY EXTERNAL UNLOADER WITH EXTERNAL BYPASS FOR BETTER DURABILITY AND PERFORMANCE
- LONG LASTING LOW RPM DURABLE, TRIPLEX, OIL-BATH, HIGH-PRESSURE PUMP, WITH THREE CERAMIC PISTONS AND FORGED MANIFOLD, BACKED BY AN INDUSTRY-LEADING WARRANTY
- TRIGGER GUN AND ERGONOMIC 36" STAINLESS STEEL LANCE WAND
- 50' HOSE WITH 1 WIRE 3/8" 4000 PSI NO MARKING HOSE.
- AUTOMATIC START & STOP DEVICE
- RELIABLE ELECTRIC MOTOR WITH TOTALLY ENCLOSED FAN-COOLED (TEFC) SYSTEM
- MOBILE FRAME MADE OF 1 1/4" STEEL, PAINTED WITH AN EPOXY POWDER COAT FINISH FOR ALL-WEATHER RESISTANCE
- VIBRATION-ABSORBING 13" TUBED PNEUMATIC TIRES WITH STEEL WHEELS FOR ALL-TERRAIN MANEUVERING.

Model Comparaison Chart



MODEL #	PW1023GP	PW10152GP	PW15222GP	PW15548AR
PSI	1000	1200	1500	1500
GPM	3.0	2.2	2.2	4.8
MOTOR TYPE	2.0 HP	1.5 HP	2.0 HP	5.0 HP
RPM	1725	1725	1725	1725
RATED VOLTAGE	120	120	120	240
PHASE	1	1	1	1
AMP DRAW	15.8	13	15.8	20
POWER-CORD	20'	20'	20'	15'
PLUG TYPE	NEMA 5-20P	NEMA 5-15P	NEMA 5-20P	NEMA 6-30P
STARTER TYPE	AUTOMATIC START / STOP	AUTOMATIC START / STOP	AUTOMATIC START / STOP	AUTOMATIC START / STOP
PUMP TYPE	LOW RPM TRIPLEX	LOW RPM TRIPLEX	LOW RPM TRIPLEX	LOW RPM TRIPLEX
UNLOADER TYPE	HIGH QUALITY EXTERNAL	HIGH QUALITY EXTERNAL	HIGH QUALITY EXTERNAL	HIGH QUALITY EXTERNAL
PUMP OIL TYPE	15W40	15W40	15W40	15W40
SOAP SYSTEM	YES	YES	YES	YES
SAFETY FEATURE	THERMAL VALVE 140F	THERMAL VALVE 140F	THERMAL VALVE 140F	THERMAL VALVE 140F
FITTING TYPES	QC COUPLERS	QC COUPLERS	QC COUPLERS	QC COUPLERS
HOSE TYPE	50' NON MARKING 3/8"	50' NON MARKING 3/8"	50' NON MARKING 3/8"	50' NON MARKING 3/8"
FRAME	2 WHEEL CART	2 WHEEL CART	2 WHEEL CART	2 WHEEL CART
HOSE REEL	OPTIONAL	OPTIONAL	OPTIONAL	OPTIONAL
WEIGHT (LBS)	90	90	90	155
SHIPPING (L"xW"xH")	24 x 24 x 24	24 x 24 x 24	24 x 24 x 24	35 x 25 x 30



PW20537GP	PW25530GP	PW401035AR	PW20537GP	PW401035AR
2000	2500	4000	2000	4000
3.7	3.0	3.5	3.7	3.5
5.0 HP	5.0 HP	10 HP	5.0 HP	10 HP
1725	1725	1725	1725	1725
240	240	240	208-230/460/600	208-230/460/600
1	1	1	3	3
20	20	42	14 / 6.5 / 5.4	27 / 13 / 9.8
15'	15'	15'	15'	15'
NEMA 6-30P	NEMA 6-30P	NEMA 6-50P	NO PLUG	NO PLUG
AUTOMATIC START / STOP	AUTOMATIC START / STOP	AUTOMATIC START / STOP	AUTOMATIC START / STOP	AUTOMATIC START / STOP
LOW RPM TRIPLEX	LOW RPM TRIPLEX	LOW RPM TRIPLEX	LOW RPM TRIPLEX	LOW RPM TRIPLEX
HIGH QUALITY EXTERNAL	HIGH QUALITY EXTERNAL	HIGH QUALITY EXTERNAL	HIGH QUALITY EXTERNAL	HIGH QUALITY EXTERNAL
15W40	15W40	15W40	15W40	15W40
YES	YES	YES	YES	YES
THERMAL VLAVE 140F	THERMAL VALVE 140F	THERMAL VALVE 140F	THERMAL VALVE 140F	THERMAL VALVE 140F
QC COUPLERS	QC COUPLERS	QC COUPLERS	QC COUPLERS	QC COUPLERS
50' NON MARKING 3/8"	50' NON MARKING 3/8"	50' NON MARKING 3/8"	50' NON MARKING 3/8"	50' NON MARKING 3/8"
2 WHEEL CART	2 WHEEL CART	2 WHEEL CART	2 WHEEL CART	2 WHEEL CART
OPTIONAL	OPTIONAL	OPTIONAL	OPTIONAL	OPTIONAL
155	155	235	155	235
35 x 25 x 30	35 x 25 x 30	35 x 25 x 30	35 x 25 x30	35 x 25 x30

SPYDER[®] PRO[™]

GAS SERIES

4-Wheel 360° Steering

Ultra Compact Design

Anti-Tip Over

210/225CC Gas Engine

HD 3-Piston Pump



3000-3800 PSI

Patent Pending

MODEL #	ENGINE	PSI / GPM	HOSE	CERTIFICATION
SPY3000G	212CC 3600RPM	3000 / 2.3	30' / PVC POLYESTER BRAIDED / M22	EPA
SPY3400G	212CC 3600RPM	3400 / 2.5	30' / PVC POLYESTER BRAIDED / M22	EPA
SPY3800G	225CC 3600RPM	3800 / 2.8	35' / PVC POLYESTER BRAIDED / QC	EPA

QC NOZZLES
(0°, 15°, 25°, 40°, SOAP)

1000ML HIGH PRESSURE
FOAM CANNON

GRAB BAR



PRO STYLE GUN
AND STEEL LANCE

PVC POLYESTER
BRAIDED HOSE



SERIES	SPYDER PRO GAS	SPYDER PRO GAS	SPYDER PRO GAS
MODEL #	SPY3000G	SPY3400G	SPY3800G
PUMP TYPE	3-PISTON AXIAL PUMP	3-PISTON AXIAL PUMP	3-PISTON AXIAL PUMP
PUMP MATERIAL	ALUMINIUM	ALUMINIUM	ALUMINIUM
THERMAL RELIEF VALVE	YES -140°F	YES -140°F	YES -140°F
CHEMICAL INJECTOR	LOW PRESSURE VENTURI (HP SIDE)	LOW PRESSURE VENTURI (HP SIDE)	LOW PRESSURE VENTURI (HP SIDE)
EZ-START PUMP VALVE	✓	✓	✓
MAX PRESSURE (PSI)	3000	3400	3800
MAX WATER FLOW (GPM)	2.3	2.5	2.8

MOTOR SPECIFICATIONS			
MANUFACTURER / MODEL	POWERPLAY 212CC	POWERPLAY 212CC	POWERPLAY 225CC
FUEL TANK	3.3L	3.3L	3.9L
DISPLACEMENT (CC) / NET HP	212CC 3600RPM	212CC 3600RPM	225CC 3600RPM
LOW OIL SENSOR	✓	✓	✓

STANDARD ACCESSORIES			
GUN/LANCE TYPE	3400 PSI M22	3400 PSI M22	4000 PSI QC
LANCE MATERIAL	20° STEEL M22 / QC	20° STEEL M22 / QC	20° STEEL QC / QC
NOZZLE TYPE	QC (0° / 15° / 25° / 40° / SOAP)	QC (0° / 15° / 25° / 40° / SOAP)	QC (0° / 15° / 25° / 40° / SOAP)
HOSE TYPE	30' / PVC POLYESTER BRAIDED / M22	30' / PVC POLYESTER BRAIDED / M22	35' / PVC POLYESTER BRAIDED / QC
DETERGENT SYSTEM	1000ML HP FOAM CANNON	1000ML HP FOAM CANNON	1000ML HP FOAM CANNON
BODY STYLE	ULTRA COMPACT	ULTRA COMPACT	ULTRA COMPACT
WHEELS	5" 4-WHEEL 360° STEERING	5" 4-WHEEL 360° STEERING	5" 4-WHEEL 360° STEERING

PACKAGING INFORMATION			
WEIGHT (LBS)	TBD	TBD	TBD
PACKAGING DIMENSIONS (L"xW"xH")	TBD	TBD	TBD
CONTAINER LOADING QUANTITY (20FT/40FT/40FT HC)	TBD	TBD	TBD
TRUCKLOAD QUANTITY	TBD	TBD	TBD
PALLET QUANTITY	TBD	TBD	TBD
CERTIFICATION	EPA	EPA	EPA
APPLICATIONS	HD	HD	HD



Lawn Mowers

POWERPLAY[®] 21" Push Gas Lawn Mower

21" Cutting Width

Push Lawn Mower

Steel Deck

Recoil Starter System

Side Discharge

Easy Storage



PUSH

MODEL #	CUTTING WIDTH	CUTTING HEIGH	DRIVE TYPE	ENGINE	DISPLACEMENT	STARTER SYSTEM	DISCHARGE
PW21P141P	21"	4 WHEEL INDIVIDUAL ADJ. 3 POSITIONS	PUSH	POWERPLAY	141CC	RECOIL	SIDE



EASY STORAGE

POWERPLAY®

21" 2-in-1 Push Gas Lawn Mower

21" Cutting Width

Push Lawn Mower

Steel Deck

Recoil Starter System

Mulching and Side Discharge

Easy Storage



2-IN-1 PUSH

MODEL #	CUTTING WIDTH	CUTTING HEIGHT	DRIVE TYPE	ENGINE	DISPLACEMENT	STARTER SYSTEM	DISCHARGE
PW21S141P2	21"	CENTRAL / 5 POSITIONS	PUSH	POWERPLAY	141CC	RECOIL	MULCHING / SIDE
PW21S149P2	21"	CENTRAL / 5 POSITIONS	PUSH	POWERPLAY	149CC	RECOIL	MULCHING / SIDE
PW21S173P2	21"	CENTRAL / 5 POSITIONS	PUSH	POWERPLAY	173CC	RECOIL	MULCHING / SIDE



EASY STORAGE

POWERPLAY®

21"/22" 3-in-1 Push Gas Lawn Mower

21" / 22" Cutting Width

Push Lawn Mower

Steel Deck

Recoil Starter System

Rear Bagging / Mulching / Side Discharge

Easy Storage



3-IN-1 PUSH

MODEL #	CUTTING WIDTH	CUTTING ADJUSTMENT	DRIVE TYPE	ENGINE	DISPLACEMENT	STARTER SYSTEM	DISCHARGE
PW21S173P3	21"	CENTRAL / 6 POSITIONS	PUSH	POWERPLAY	173CC	RECOIL	REAR BAGGING (70L) MULCHING / SIDE
PW22S173P3	22"	CENTRAL / 6 POSITIONS	PUSH	POWERPLAY	173CC	RECOIL	REAR BAGGING (70L) MULCHING / SIDE



EASY STORAGE

POWERPLAY®

21" 3-in-1 Self-Propelled Gas Lawn Mower



21" Cutting Width

Self-Propelled / RWD Lawn Mower

Steel Deck

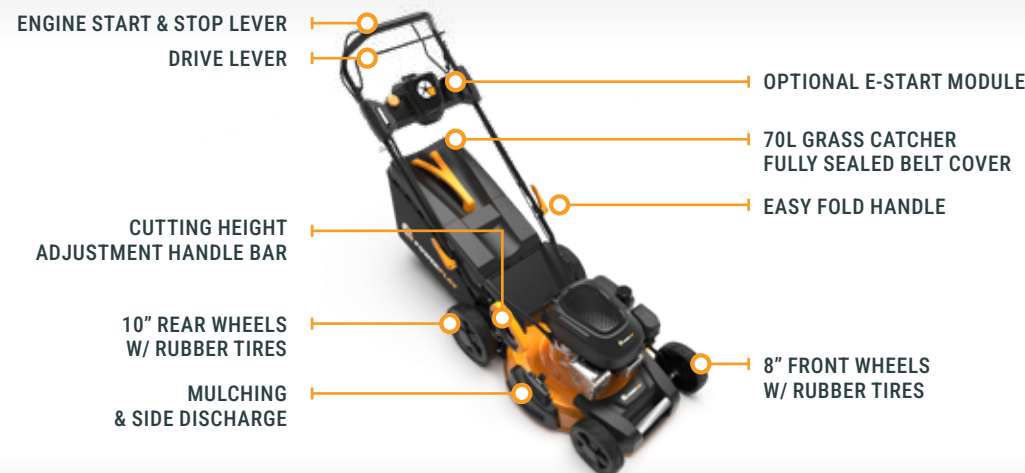
Recoil Starter System (Optional E-Start)

Rear Bagging / Mulching / Side Discharge

Easy Storage

3-IN-1 SELF-PROPELLED

MODEL #	CUTTING WIDTH	CUTTING HEIGHT	DRIVE TYPE	ENGINE	DISPLACEMENT	STARTER SYSTEM	DISCHARGE
PW21S173R3	21"	CENTRAL / 6 POSITIONS	SELF-PROPELLED	POWERPLAY	173CC	RECOIL	REAR BAGGING (70L) MULCHING / SIDE
PW21S209R3	21"	CENTRAL / 6 POSITIONS	SELF-PROPELLED	POWERPLAY	209CC	RECOIL	REAR BAGGING (70L) MULCHING / SIDE
PW21S209ER3	21"	CENTRAL / 6 POSITIONS	SELF-PROPELLED	POWERPLAY	209CC	RECOIL E-START	REAR BAGGING (70L) MULCHING / SIDE
PW21BS163R3	21"	CENTRAL / 6 POSITIONS	SELF-PROPELLED	B&S EXI725	163CC	RECOIL	REAR BAGGING (70L) MULCHING / SIDE



EASY STORAGE

POWERPLAY®

22" 3-in-1 Self-Propelled Gas Lawn Mower



22" Cutting Width

Self-Propelled / RWD Lawn Mower

Steel Deck

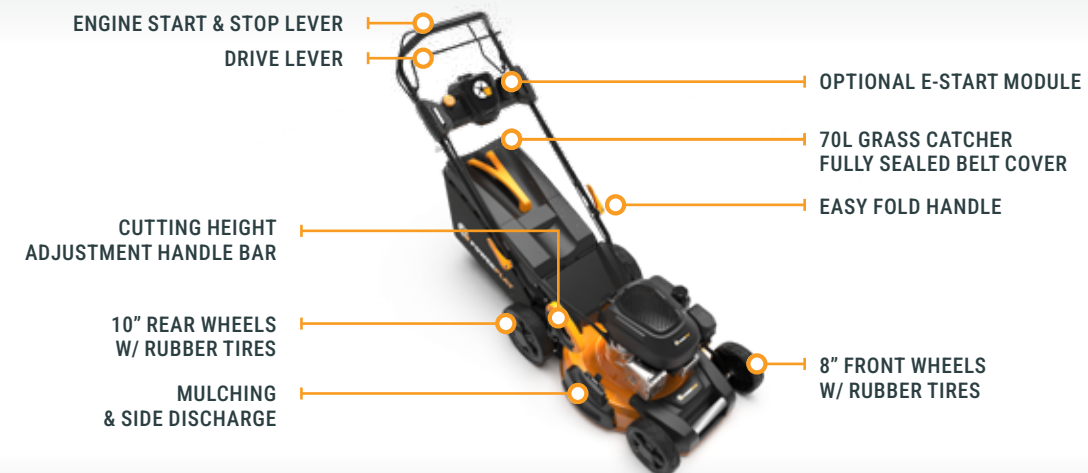
Recoil Starter System (Optional E-Start)

Rear Bagging / Mulching / Side Discharge

Easy Storage

3-IN-1 SELF-PROPELLED

MODEL #	CUTTING WIDTH	CUTTING HEIGHT	DRIVE TYPE	ENGINE	DISPLACEMENT	STARTER SYSTEM	DISCHARGE
PW22S173R3	22"	CENTRAL / 6 POSITIONS	SELF-PROPELLED	POWERPLAY	173CC	RECOIL	REAR BAGGING (70L) MULCHING / SIDE
PW22S209R3	22"	CENTRAL / 6 POSITIONS	SELF-PROPELLED	POWERPLAY	209CC	RECOIL	REAR BAGGING (70L) MULCHING / SIDE
PW22S209ER3	22"	CENTRAL / 6 POSITIONS	SELF-PROPELLED	POWERPLAY	209CC	RECOIL E-START	REAR BAGGING (70L) MULCHING / SIDE
PW22BS163R3	22"	CENTRAL / 6 POSITIONS	SELF-PROPELLED	B&S EXI725	163CC	RECOIL	REAR BAGGING (70L) MULCHING / SIDE
PW22BS190R3	22"	CENTRAL / 6 POSITIONS	SELF-PROPELLED	B&S EXI875	190CC	RECOIL	REAR BAGGING (70L) MULCHING / SIDE



EASY STORAGE

Model Comparaison Chart



MODEL #	PW21P141P	PW21S141P2	PW21S149P2	PW21S173P2
PRODUCT DESCRIPTION	21" PUSH 141CC	21" 2-IN-1 PUSH 141CC	21" 2-IN-1 PUSH 149CC	21" 2-IN-1 PUSH 173CC
DRIVE TYPE	PUSH	PUSH	PUSH	PUSH
CUTTING WIDTH	21"	21"	21"	21"
DECK MATERIAL	STEEL	STEEL	STEEL	STEEL
DISCHARGE FUNCTION	SIDE DISCHARGE	MULCHING SIDE DISCHARGE	MULCHING SIDE DISCHARGE	MULCHING SIDE DISCHARGE
BLADE TYPE	SINGLE STRAIGHT BLADE	SINGLE STRAIGHT BLADE	SINGLE STRAIGHT BLADE	SINGLE STRAIGHT BLADE
CUTTING HEIGHT ADJUSTMENT	4-WHEEL INDIVIDUAL ADJUSTMENT	CENTRAL ADJUSTMENT	CENTRAL ADJUSTMENT	CENTRAL ADJUSTMENT
CUTTING HEIGHT # OF POSITIONS	3 POSITIONS	5 POSITIONS	5 POSITIONS	5 POSITIONS
ENGINE MANUFACTURER	POWERPLAY	POWERPLAY	POWERPLAY	POWERPLAY
ENGINE DISPLACEMENT	141CC	141CC	149CC	173CC
ENGINE STARTER SYSTEM	RECOIL	RECOIL	RECOIL	RECOIL
ENGINE THROTTLE CONTROL	NO	NO	NO	NO
ENGINE MAX FUEL TANK CAPACITY	0.8 L	0.8 L	1.0 L	1.0 L
ENGINE OIL CAPACITY	0.5 L	0.5 L	0.5 L	0.5 L
WHEELS SIZE (FRONT/REAR)	7-7 INCH	8-12 INCH	8-12 INCH	8-12 INCH
WHEELS MATERIAL	POLYPROPYLENE	POLYPROPYLENE DOUBLE BEARING	POLYPROPYLENE DOUBLE BEARING	POLYPROPYLENE DOUBLE BEARING
GRASS CATCHER MATERIAL	-	-	-	-
GRASS CATCHER VOLUME	-	-	-	-
EASY FOLD	NO	YES	YES	YES
DECK QUICK WASHING HOLE PORT	NO	NO	NO	NO
PACKAGING LENGTH (IN)	27.56	32.87	32.87	32.87
PACKAGING DEPTH (IN)	22.83	23.03	23.03	23.03
PACKAGING HEIGHT (IN)	14.96	15.95	15.95	15.95
PACKAGED WEIGHT (LBS)	51.80	51.80	52.91	54.00
CONTAINER LOADING QTY 20GP/40GP/40HC	192/402/465	130/280/336	130/280/336	130/280/336



MODEL #	PW21S173P3	PW21S173R3	PW21S209R3	PW21S209ER3
PRODUCT DESCRIPTION	21" 3-IN-1 PUSH 173CC	21" 3-IN-1 SELF-PROPELLED 173CC	21" 3-IN-1 SELF-PROPELLED 209CC	21" 3-IN-1 SELF-PROPELLED 209CC
DRIVE TYPE	PUSH	SELF-PROPELLED	SELF-PROPELLED	SELF-PROPELLED
CUTTING WIDTH	21"	21"	21"	21"
DECK MATERIAL	STEEL	STEEL	STEEL	STEEL
DISCHARGE FUNCTION	REAR BAGGING / MULCHING SIDE DISCHARGE	REAR BAGGING / MULCHING SIDE DISCHARGE	REAR BAGGING / MULCHING SIDE DISCHARGE	REAR BAGGING / MULCHING SIDE DISCHARGE
BLADE TYPE	SINGLE STRAIGHT BLADE	SINGLE STRAIGHT BLADE	SINGLE STRAIGHT BLADE	SINGLE STRAIGHT BLADE
CUTTING HEIGHT ADJUSTMENT	CENTRAL ADJUSTMENT	CENTRAL ADJUSTMENT	CENTRAL ADJUSTMENT	CENTRAL ADJUSTMENT
CUTTING HEIGHT # OF POSITIONS	6 POSITIONS	6 POSITIONS	6 POSITIONS	6 POSITIONS
ENGINE MANUFACTURER	POWERPLAY	POWERPLAY	POWERPLAY	POWERPLAY
ENGINE DISPLACEMENT	173CC	173CC	209CC	209CC
ENGINE STARTER SYSTEM	RECOIL	RECOIL	RECOIL	RECOIL / ESTART
ENGINE THROTTLE CONTROL	NO	NO	NO	NO
ENGINE MAX FUEL TANK CAPACITY	1.0 L	1.0 L	1.2 L	1.2 L
ENGINE OIL CAPACITY	0.5 L	0.5 L	0.5 L	0.5 L
WHEELS SIZE (FRONT/REAR)	8-10 INCH	8-10 INCH	8-10 INCH	8-10 INCH
WHEELS MATERIAL	POLYPROPYLENE+PVC DOUBLE BEARING	POLYPROPYLENE+PVC DOUBLE BEARING	POLYPROPYLENE+PVC DOUBLE BEARING	POLYPROPYLENE+PVC DOUBLE BEARING
GRASS CATCHER MATERIAL	HALF PLASTIC COVER + FABRIC BAG	HALF PLASTIC COVER + FABRIC BAG	HALF PLASTIC COVER + FABRIC BAG	HALF PLASTIC COVER + FABRIC BAG
GRASS CATCHER VOLUME	70L	70L	70L	70L
EASY FOLD	YES	YES	YES	YES
DECK QUICK WASHING HOLE PORT	YES	YES	YES	YES
PACKAGING LENGTH (IN)	37.79	37.79	37.79	37.79
PACKAGING DEPTH (IN)	22.83	22.83	22.83	22.83
PACKAGING HEIGHT (IN)	20.87	20.87	20.87	20.87
PACKAGED WEIGHT (LBS)	70.54	74.95	77.16	79.36
CONTAINER LOADING QTY 20GP/40GP/40HC	96/192/240	96/192/240	96/192/240	96/192/240

Model Comparison Chart



MODEL #	PW22S173P3	PW22S173R3	PW22S209R3
PRODUCT DESCRIPTION	22" 3-IN-1 PUSH 173CC	22" 3-IN-1 SELF-PROPELLED 173CC	22" 3-IN-1 SELF-PROPELLED 209CC
DRIVE TYPE	PUSH	SELF-PROPELLED	SELF-PROPELLED
CUTTING WIDTH	22"	22"	22"
DECK MATERIAL	STEEL	STEEL	STEEL
DISCHARGE FUNCTION	REAR BAGGING / MULCHING SIDE DISCHARGE	REAR BAGGING / MULCHING SIDE DISCHARGE	REAR BAGGING / MULCHING SIDE DISCHARGE
BLADE TYPE	SINGLE STRAIGHT BLADE	SINGLE STRAIGHT BLADE	SINGLE STRAIGHT BLADE
CUTTING HEIGHT ADJUSTMENT	CENTRAL ADJUSTMENT	CENTRAL ADJUSTMENT	CENTRAL ADJUSTMENT
CUTTING HEIGHT # OF POSITIONS	6 POSITIONS	6 POSITIONS	6 POSITIONS
ENGINE MANUFACTURER	POWERPLAY	POWERPLAY	POWERPLAY
ENGINE DISPLACEMENT	173CC	173CC	209CC
ENGINE STARTER SYSTEM	RECOIL	RECOIL	RECOIL
ENGINE THROTTLE CONTROL	NO	NO	NO
ENGINE MAX FUEL TANK CAPACITY	1.0 L	1.0 L	1.2 L
ENGINE OIL CAPACITY	0.5 L	0.5 L	0.5 L
WHEELS SIZE (FRONT/REAR)	8-10 INCH	8-10 INCH	8-10 INCH
WHEELS MATERIAL	POLYPROPYLENE+PVC DOUBLE BEARING	POLYPROPYLENE+PVC DOUBLE BEARING	POLYPROPYLENE+PVC DOUBLE BEARING
GRASS CATCHER MATERIAL	HALF PLASTIC COVER + FABRIC BAG	HALF PLASTIC COVER + FABRIC BAG	HALF PLASTIC COVER + FABRIC BAG
GRASS CATCHER VOLUME	70L	70L	70L
EASY FOLD	YES	YES	YES
DECK QUICK WASHING HOLE PORT	YES	YES	YES
PACKAGING LENGTH (IN)	37.00	37.00	37.00
PACKAGING DEPTH (IN)	24.01	24.01	24.01
PACKAGING HEIGHT (IN)	20.87	20.87	20.87
PACKAGED WEIGHT (LBS)	73.85	78.26	80.46
CONTAINER LOADING QTY 20GP/40GP/40HC	84/176/220	84/176/220	84/176/220

MODEL #	PW22S209ER3	PW21BS163R3	PW22BS163R3	PW22BS190R3
PRODUCT DESCRIPTION	22" 3-IN-1 SELF-PROPELLED 209CC	21" 3-IN-1 SELF-PROPELLED B&S 163CC	22" 3-IN-1 SELF-PROPELLED B&S 163CC	22" 3-IN-1 SELF-PROPELLED B&S 190CC
DRIVE TYPE	SELF-PROPELLED	SELF-PROPELLED	SELF-PROPELLED	SELF-PROPELLED
CUTTING WIDTH	22"	21"	22"	22"
DECK MATERIAL	STEEL	STEEL	STEEL	STEEL
DISCHARGE FUNCTION	REAR BAGGING / MULCHING SIDE DISCHARGE	REAR BAGGING / MULCHING SIDE DISCHARGE	REAR BAGGING / MULCHING SIDE DISCHARGE	REAR BAGGING / MULCHING SIDE DISCHARGE
BLADE TYPE	SINGLE STRAIGHT BLADE	SINGLE STRAIGHT BLADE	SINGLE STRAIGHT BLADE	SINGLE STRAIGHT BLADE
CUTTING HEIGHT ADJUSTMENT	CENTRAL ADJUSTMENT	CENTRAL ADJUSTMENT	CENTRAL ADJUSTMENT	CENTRAL ADJUSTMENT
CUTTING HEIGHT # OF POSITIONS	6 POSITIONS	6 POSITIONS	6 POSITIONS	6 POSITIONS
ENGINE MANUFACTURER	POWERPLAY	BRIGGS & STRATTON EXI725	BRIGGS & STRATTON EXI725	BRIGGS & STRATTON EXI875
ENGINE DISPLACEMENT	209CC	163CC	163CC	190CC
ENGINE STARTER SYSTEM	RECOIL / E-START	RECOIL	RECOIL	RECOIL
ENGINE THROTTLE CONTROL	NO	NO	NO	NO
ENGINE MAX FUEL TANK CAPACITY	1.2 L	0.27 (GAL)	0.27 (GAL)	0.27 (GAL)
ENGINE OIL CAPACITY	0.5 L	15 (OZ)	15 (OZ)	18 (OZ)
WHEELS SIZE (FRONT/REAR)	8-10 INCH	8-10 INCH	8-10 INCH	8-10 INCH
WHEELS MATERIAL	POLYPROPYLENE+PVC DOUBLE BEARING	POLYPROPYLENE+PVC DOUBLE BEARING	POLYPROPYLENE+PVC DOUBLE BEARING	POLYPROPYLENE+PVC DOUBLE BEARING
GRASS CATCHER MATERIAL	HALF PLASTIC COVER + FABRIC BAG	HALF PLASTIC COVER + FABRIC BAG	HALF PLASTIC COVER + FABRIC BAG	HALF PLASTIC COVER + FABRIC BAG
GRASS CATCHER VOLUME	70L	70L	70L	70L
EASY FOLD	YES	YES	YES	YES
DECK QUICK WASHING HOLE PORT	YES	YES	YES	YES
PACKAGING LENGTH (IN)	37.00	37.79	37.00	37.00
PACKAGING DEPTH (IN)	24.01	22.83	24.01	24.01
PACKAGING HEIGHT (IN)	20.87	20.87	20.87	20.87
PACKAGED WEIGHT (LBS)	82.67	74.95	79.36	78.26
CONTAINER LOADING QTY 20GP/40GP/40HC	84/176/220	96/192/240	84/176/220	84/176/220

Portable Generators



POWERPLAY®

Portable Generator

- OHV/Air-Cooled/4-Stroke Engine
- T.C.I Ignition System
- Aluminium Rotor & Stator
- AC Single-Phase AVR 60Hz
- EPA Compliant



POWERPLAY®

Portable Generator

- OHV/Air-Cooled/4-Stroke Twin-Cylinder Engine
- T.C.I Ignition System
- Copper Rotor & Stator
- AC Single-Phase AVR 60Hz
- EPA Compliant



MODEL #	MAX. POWER	ENGINE	STARTING SYSTEM	RUN TIME @ 50% LOAD	FUEL CAPACITY	DUAL FUEL	AC VOLTAGE
PWG2500	2500W	208CC	RECOIL	9.5H	15L	-	120V
PWG3500	3500W	208CC	RECOIL	9H	15L	-	120V/240V
PWG4000	4000W	223CC	RECOIL	9H	15L	-	120V/240V
PWG6000	6000W	420CC	RECOIL+ELECTRIC	9.5H	25L	-	120V/240V
PWG7850	7850W	420CC	RECOIL+ELECTRIC	9.5H	25L	YES	120V/240V
PWG9000	9000W	459CC	RECOIL	10H	25L	YES	120V/240V
PWG10000	10000W	459CC	RECOIL	10H	25L	YES	120V/240V
PWG11000	11000W	459CC	RECOIL	9.5H	25L	YES	120V/240V

MODEL #	MAX. POWER	ENGINE	STARTING SYSTEM	RUN TIME @ 50% LOAD	FUEL CAPACITY	DUAL FUEL	AC VOLTAGE
PWG14000	14000W	744CC	RECOIL	7.5H	45L	-	120V/240V
PWG19000	19000W	999CC	RECOIL	8H	60L	-	120V/240V



Model Comparaison Chart



MODEL #	PWG2500	PWG3500	PWG4000	PWG6000	PWG7850
ELECTRIC START	-	-	-	INCLUDED	INCLUDED
HANDLES&WHEELS KIT	INCLUDED	INCLUDED	INCLUDED	INCLUDED	INCLUDED
DUAL FUEL	-	-	-	-	YES
TYPE	AC SINGLE-PHASE	AC SINGLE-PHASE	AC SINGLE-PHASE	AC SINGLE-PHASE	AC SINGLE-PHASE
VOLTAGE REGULATE	AVR	AVR	AVR	AVR	AVR
FREQUENCY	60HZ	60HZ	60HZ	60HZ	60HZ
AC VOLTAGE	120V	120V/240V	120V/240V	120V/240V	120V/240V
RATED POWER	2200W	3200W	3500W	5500W	6300W
MAX. POWER	2500W	3500W	4100W	6000W	7850W
POWER FACTOR	COS $\phi=1$	COS $\phi=1$	COS $\phi=1$	COS $\phi=1$	COS $\phi=1$
FUEL CAPACITY	15L	15L	15L	25L	25L
RUN TIME @ 50% LOAD	9.5H	9H	9H	9.5H	9.5H
ENGINE TYPE	OHV/AIR-COOLED 4-STROKE	OHV/AIR-COOLED 4-STROKE	OHV/AIR-COOLED 4-STROKE	OHV/AIR-COOLED 4-STROKE	OHV/AIR-COOLED 4-STROKE
ENGINE DISPLACEMENT	208CC	208CC	223CC	420CC	420CC
IGNITION SYSTEM	T.C.I	T.C.I	T.C.I	T.C.I	T.C.I
STARTING SYSTEM	RECOIL	RECOIL	RECOIL	RECOIL+ELECTRIC	RECOIL+ELECTRIC
OIL CAPACITY	0.8L	0.8L	0.8L	0.8L	0.8L
LENGTH (IN)	24.18	24.18	24.18	28.08	28.08
WIDTH (IN)	19.11	19.11	19.11	21.45	21.45
HEIGHT (IN)	19.11	19.11	19.11	22.62	22.62
ROTOR & STATOR MATERIALS	ALUMINIUM	ALUMINIUM	ALUMINIUM	ALUMINIUM	ALUMINIUM
EPA/CARB COMPLIANT	EPA	EPA	EPA	EPA	EPA
NET WEIGHT (LBS)	95	110	117	191	191
LOADING QTY (20GP/40HQ)	168/430	168/440	168/430	128/264	128/264



MODEL #	PWG9000	PWG10000	PWG11000	PWG14000	PWG19000
ELECTRIC START	INCLUDED	INCLUDED	INCLUDED	INCLUDED	INCLUDED
HANDLES&WHEELS KIT	INCLUDED	INCLUDED	INCLUDED	INCLUDED	INCLUDED
DUAL FUEL	YES	YES	YES	-	-
TYPE	AC SINGLE-PHASE	AC SINGLE-PHASE	AC SINGLE-PHASE	AC SINGLE-PHASE	AC SINGLE-PHASE
VOLTAGE REGULATE	AVR	AVR	AVR	AVR	AVR
FREQUENCY	60HZ	60HZ	60HZ	60HZ	60HZ
AC VOLTAGE	120V/240V	120V/240V	120V/240V	120V/240V	120V/240V
RATED POWER	7200W	8000W	9000W	13000W	18000W
MAX. POWER	9000W	10000W	11000W	14000W	19000W
POWER FACTOR	COS $\phi=1$	COS $\phi=1$	COS $\phi=1$	COS $\phi=1$	COS $\phi=1$
FUEL CAPACITY	25L	25L	25L	45L	60L
RUN TIME @ 50% LOAD	10H	10H	9.5H	7.5H	8H
ENGINE TYPE	OHV/AIR-COOLED 4-STROKE	OHV/AIR-COOLED 4-STROKE	OHV/AIR-COOLED 4-STROKE	OHV/AIR-COOLED TWIN-CYLINDER 4-STROKE	OHV/AIR-COOLED TWIN-CYLINDER 4-STROKE
ENGINE DISPLACEMENT	459CC	459CC	459CC	744CC	999CC
IGNITION SYSTEM	T.C.I	T.C.I	T.C.I	T.C.I	T.C.I
STARTING SYSTEM	RECOIL	RECOIL	RECOIL	RECOIL	RECOIL
OIL CAPACITY	0.8L	0.8L	0.8L	0.8L	0.8L
LENGTH (IN)	28.08	28.08	28.08	32.18	37.25
WIDTH (IN)	21.45	21.45	21.45	25.55	26.33
HEIGHT (IN)	22.62	22.62	22.62	36.47	38.42
ROTOR & STATOR MATERIALS	ALUMINIUM	ALUMINIUM	ALUMINIUM	COPPER	COPPER
EPA/CARB COMPLIANT	EPA	EPA	EPA	EPA	EPA
NET WEIGHT (LBS)	209	209	209	418	506
LOADING QTY (20GP/40HQ)	128/264	128/264	128/264	50/100	40/84



Power
Stations

POWERPLAY[®] Power Station



120V / 60 Hz

LiFePO4 Battery

22.4V/12Ah Battery Cell

268.8Wh Battery Life

600-1200WATTS

MODEL #	PEAK WATTS	RUNNING WATTS	PV SOLAR INPUT	CAR INPUT	AC INPUT (100V~120V)	USB OUTPUT	PD OUTPUT	WIRELESS CHARGING	OUTPUT PORTS	UPS FUNCTION	FAST CHARGE
PPS600	600W	300W	200W MAX	100W MAX	220W MAX	2 x 24W MAX	1 x PD100W MAX	1 x 15W	8	YES	YES
PPS1200	1200W	600W	200W MAX	100W MAX	220W MAX	2 x 24W MAX	1 x PD100W MAX	1 x 15W	8	YES	YES



POWERPLAY[®] Power Station



120V / 60 Hz

LiFePO4 Battery

25.6V/20Ah Battery Cell

512Wh Battery Life

1200WATTS

MODEL #	PEAK WATTS	RUNNING WATTS	PV SOLAR INPUT	CAR INPUT	AC INPUT (100V~120V)	USB OUTPUT	PD OUTPUT	WIRELESS CHARGING	OUTPUT PORTS	UPS FUNCTION	FAST CHARGE
PPS1200P	1200W	600W	300W MAX	100W MAX	400W MAX	2 x 24W MAX	1 x PD100W MAX	1 x 15W	9	YES	YES



POWERPLAY® Power Station

120V / 60 Hz

LiFePO4 Battery

25.6V/45Ah Battery Cell

1152Wh Battery Life



2400 WATTS

MODEL #	PEAK WATTS	RUNNING WATTS	PV SOLAR INPUT	CAR INPUT	AC INPUT (100V~120V)	USB OUTPUT	PD OUTPUT	WIRELESS CHARGING	OUTPUT PORTS	UPS FUNCTION	FAST CHARGE
PPS2400	2400W	1200W	400W MAX	100W MAX	700W MAX	4 x 24W MAX	2 x PD100W MAX	1 x 15W	13	YES	YES



POWERPLAY® Power Station

120V / 60 Hz

LiFePO4 Battery

51.2V/36Ah Battery Cell

1843.4 - 2150.4Wh Battery Life

Parallel Output



4000-4800 WATTS

MODEL #	PEAK WATTS	RUNNING WATTS	PV SOLAR INPUT	CAR INPUT	AC INPUT (100V~120V)	USB OUTPUT	PD OUTPUT	WIRELESS CHARGING	OUTPUT PORTS	UPS FUNCTION	FAST CHARGE
PPS4000	4000W	2000W	1200W MAX	-	1200W MAX	2 x 24W MAX	1 x PD100W MAX	2 x 15W	11	YES	YES
PPS4800	4800W	2400W	1200W MAX	-	1200W MAX	2 x 24W MAX	1 x PD100W MAX	2 x 15W	11	YES	YES



Model Comparison Chart



MODEL #	PPS600	PPS1200	PPS1200P
VOLTAGES	120V	120V	120V
FREQUENCY	60HZ	60HZ	60HZ
PHASE	SINGLE	SINGLE	SINGLE
RUNNING WATTS	300W	600W	600W
PEAK WATTS	600W	1200W	1200W
BATTERY BACK BRAND	WTT	WTT	EVPS
BATTERY TYPES	LIFEPO4	LIFEPO4	LIFEPO4
BATTERY CELL VOLTAGE AND AH	22.4V/12AH	22.4V/12AH	25.6V/20AH
BATTERY CAPACITY	268.8WH	268.8WH	512WH
PV SOLAR INPUT	200W MAX	200W MAX	300W MAX
CAR INPUT	100W MAX	100W MAX	100W MAX
AC INPUT	220W MAX(100V~120V)	220W MAX(100V~120V)	400W MAX(100V~120V)
USB OUTPUT	2 x 24W MAX	2 x 24W MAX	2 x 24W MAX
PD OUTPUT	1 x PD100W MAX	1 x PD100W MAX	2 x PD100W MAX
WIRELESS CHARGING	1 x 15W	1 x 15W	1 x 15W
OUTPUT PORTS	8	8	9
PARALLEL OUTPUT	-	-	-
UPS FUNCTION	YES	YES	YES
FAST CHARGE	YES	YES	YES
PLASTIC MATERIAL	PC+ABS	PC+ABS	PC+ABS
DISPLAY SCREEN	LED	LED	LED
WHEEL	NO	NO	NO
ACCESSORIES BAG	OPTIONAL	OPTIONAL	OPTIONAL
AC WALL CHARGING CABLE	YES	YES	YES
SOLAR CHARGING CABLE	NO	NO	NO
CAR CHARGING CABLE	OPTIONAL	OPTIONAL	OPTIONAL
MANUAL	YES	YES	YES
OUTSIDE PACKING DIMENSIONS (MM) (L X W X H)	228 x 165 x 170	228 x 165 x 170	284.5 x 192 x 192
NET WIEGHT (LBS)	10.1	10.1	15.4
GROSS WEIGHT (LBS)	11.4	11.4	18.3
LOADING QTY(20GP/40HQ)	1400/3120	1944/3888	960/2106

PPS2400P	PPS4000P	PPS4800P
120V	120V	120V
60HZ	60HZ	60HZ
SINGLE	SINGLE	SINGLE
1200W	2000W	2400W
2400W	4000W	4800W
CHAM	WTT	WTT
LIFEPO4	LIFEPO4	LIFEPO4
25.6V/45AH	51.2V/36AH	51.2V/42AH
1152WH	1843.4WH	2150.4WH
400W MAX	1200W MAX	1200W MAX
100W MAX	-	-
700W MAX(100V~120V)	1200W MAX(100V~120V)	1200W MAX (100V~120V)
4 x 24W MAX	2 x 24W MAX	2 x 24W MAX
2 x PD100W MAX	1 x PD100W MAX	1 x PD100W MAX
1 x 15W	2 x 15W	2 x 15W
13	11	11
-	YES	YES
YES	YES	YES
YES	YES	YES
PC+ABS	PC+ABS	PC+ABS
LED	LED	LED
NO	2	2
OPTIONAL	OPTIONAL	OPTIONAL
YES	YES	YES
NO	YES	YES
OPTIONAL	OPTIONAL	OPTIONAL
YES	YES	YES
240 x 348 x 226	536 x 361 x 338	536 x 361 x 338
30.8	68.2	77.0
40.7	74.8	83.6
576/1386	210/540	210/540



Silent Inverter Generators

POWERPLAY[®]

Silent Inverter Generator



80CC Engine

59dB Automatic Idle Control

1400WATTS

MODEL #	STARTING WATTS GASOLINE	RUNNING WATTS GASOLINE	ENGINE	RUN TIME AT HALF LOAD GASOLINE	RUN TIME AT FULL LOAD GASOLINE	NOISE LEVEL	FUEL GAUGE	START TYPE	EPA/CARB COMPLIANT
PWG1400i	1400W	1200W	60CC	4.5HRS	2.5HRS	59DB	-	MANUAL	EPA

POWERPLAY[®]

Silent Inverter Generator



80CC Engine

60dB

Automatic Idle Control

Dual Fuel

2000WATTS

MODEL #	STARTING WATTS GASOLINE	RUNNING WATTS GASOLINE	STARTING WATTS PROPANE	RUNNING WATTS PROPANE	ENGINE	RUN TIME AT HALF LOAD GASOLINE	RUN TIME AT FULL LOAD GASOLINE	NOISE LEVEL	FUEL GAUGE	START TYPE	EPA/CARB COMPLIANT
PWG2000i	2000W	1800W	2800W	1500W	80CC	8.0HRS	3.0HRS	60DB	YES	MANUAL	EPA

POWERPLAY®

Silent Inverter Generator



149CC Engine

60dB

Automatic Idle Control

Dual Fuel

3500-4000WATTS

MODEL #	STARTING WATTS GASOLINE	RUNNING WATTS GASOLINE	STARTING WATTS PROPANE	RUNNING WATTS PROPANE	ENGINE	RUN TIME AT HALF LOAD GASOLINE	RUN TIME AT FULL LOAD GASOLINE	NOISE LEVEL	FUEL GAUGE	START TYPE	EPA/CARB COMPLIANT
PWG3500i	3500W	3000W	3200W	2700W	149CC	5.5HRS	3.5HRS	60DB	YES	ELECTRIC	EPA
PWG4000i	4000W	3200W	3300W	2800W	149CC	5.5HRS	3.5HRS	60DB	YES	ELECTRIC	EPA

POWERPLAY®

Silent Inverter Generator



224CC Engine

62dB

Automatic Idle Control

Dual Fuel

5000WATTS

MODEL #	STARTING WATTS GASOLINE	RUNNING WATTS GASOLINE	STARTING WATTS PROPANE	RUNNING WATTS PROPANE	ENGINE	RUN TIME AT HALF LOAD GASOLINE	RUN TIME AT FULL LOAD GASOLINE	NOISE LEVEL	FUEL GAUGE	START TYPE	EPA/CARB COMPLIANT
PWG5000i	5000W	4000W	4500W	3600W	224CC	11.0HRS	4.5HRS	62DB	YES	ELECTRIC	EPA

POWERPLAY[®]

Silent Inverter Generator



322CC Engine

64dB

Automatic Idle Control

Dual Fuel

6900WATTS

MODEL #	STARTING WATTS GASOLINE	RUNNING WATTS GASOLINE	STARTING WATTS PROPANE	RUNNING WATTS PROPANE	ENGINE	RUN TIME AT HALF LOAD GASOLINE	RUN TIME AT FULL LOAD GASOLINE	NOISE LEVEL	FUEL GAUGE	START TYPE	EPA/CARB COMPLIANT
PWG6900i	6900W	5500W	6200W	5000W	322CC	11.0HRS	4.5HRS	64DB	YES	-	EPA

POWERPLAY[®]

Silent Inverter Generator



459CC Engine

62dB

Automatic Idle Control

Tri Fuel

9500WATTS

MODEL #	STARTING WATTS GASOLINE	RUNNING WATTS GASOLINE	STARTING WATTS PROPANE	RUNNING WATTS PROPANE	STARTING WATTS NG	RUNNING WATTS NG	ENGINE	RUN TIME AT HALF LOAD GASOLINE	RUN TIME AT FULL LOAD GASOLINE	NOISE LEVEL	FUEL GAUGE	START TYPE	COMPLIANT
PWG9500i	9500W	7600W	8550W	7200W	7500W	6300W	459CC	11.0HRS	6.0HRS	67DB	YES	-	EPA

Model Comparison Chart



MODEL #	PWG1400I	PWG2000I	PWG3500I
RUNNING WATT GASOLINE	1200W	1800W	3000W
STARTING WATTS GASOLINE	1400W	2000W	3500W
RUNNING WATT PROPANE	-	1500W	2700W
STARTING WATTS PROPANE	-	2800W	3200W
RUNNING WATT NG	-	-	-
STARTING WATTS NG	-	-	-
ENGINE BRAND	POWERPLAY	POWERPLAY	POWERPLAY
ENGINE DISPLACEMENT	60CC	80CC	149CC
FUEL CAPACITY (GALLONS)	2.0L	3.0L	6L
RUN TIME AT 1/2 LOAD (HOURS) GASOLINE	4.5HRS	8HRS	5.5HRS
RUN TIME AT FULL LOAD (HOURS) GASOLINE	2.5HRS	3HRS	3.5HRS
THD	< 3%	< 3%	< 3%
NOISE LEVEL (DB) @ 25% LOAD 7M	59DB	60DB	60DB
LOW OIL SHUT DOWN	YES	YES	YES
FUEL GAUGE	NO	YES	YES
CO SENSOR	NO	NO	NO
AUTOMATIC IDLE CONTROL	YES	YES	YES
START TYPE	MANUAL	MANUAL	ELECTRIC
CONTROL PANEL	2 x 120V OUTLETS 1 x USB, PARALELL	2 x 120V OUTLETS 1 x USB, PARALELL	2 x 120V OUTLETS 1 x USB, PARALELL
PRODUCT WEIGHT (LBS)	24LBS	34LBS	50LBS
LENGTH (IN)	16.77	18.33	19.5
WIDTH (IN)	9.828	10.53	12.09
HEIGHT (IN)	15.6	15.6	17.55
LOADING QTY (20GP/40HQ)	500/1230	530/840	240/640
EPA/CARB COMPLIANT	EPA	EPA	EPA

PWG4000I	PWG5000I	PWG6900I	PWG9500I
3200W	4000W	5500W	7600W
4000W	5000W	6900W	9500W
2800W	3600W	5000W	7200W
3300W	4500W	6200W	8550W
-	-	-	6300W
-	-	-	7500W
POWERPLAY	POWERPLAY	POWERPLAY	POWERPLAY
149CC	224CC	322CC	459CC
6L	10L	13.5L	25L
5.5HRS	9.5HRS	11HRS	11HRS
3.5HRS	4.5HRS	4.5HRS	6HRS
< 3%	< 3%	< 3%	< 3%
60DB	62DB	64DB	67DB
YES	YES	YES	YES
YES	YES	YES	YES
NO	NO	NO	NO
YES	YES	YES	YES
ELECTRIC	ELECTRIC		
2 x 120V OUTLETS 1 x USB, PARALELL	2 x 120V OUTLETS 1 x USB, PARALELL	1 x 14-30R/30A/125V-250V 2 x 5-20R/20A/125V 1 x USB 1.5A/2.1A	1 x 14-50R/50A/125V-250V 1 x 14-30R/30A/125V-250V 2 x 5-20R/20A/125V 1 x USB 1.5A/2.1A 1 x TYPE A 1 x VOLTAGE SELECTOR
50LBS	83LBS	124LBS	253LBS
19.5	21.099	24.882	31.98
12.09	15.444	19.578	24.96
17.55	19.695	21.255	30.42
240/640	135/375	132/264	40/138
EPA	EPA	EPA	EPA



Water Pumps

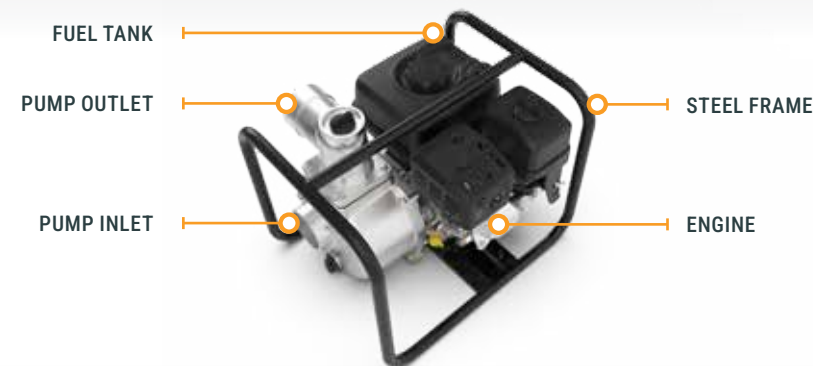
POWERPLAY[®] Clear Water Pump

196-223CC Engine
3600RPM
7M Suction Head
3.6L Fuel Tank
Recoil Starter



30-85 M³/H

MODEL #	ENGINE	SUCTION PORT DIAMETER	DISCHARGE PORT DIAMETER	DISCHARGE CAPACITY	BORE*STROKE	START TYPE	EPA/CARB COMPLIANT
PWP50	196CC	2"	2"	30 M ³ /H	68*54MM	RECOIL	EPA
PWP80	212CC	3"	3"	55 M ³ /H	70*55MM	RECOIL	EPA
PWP100	223CC	4"	4"	85 M ³ /H	70*58MM	RECOIL	EPA



Model Comparaison Chart



MODEL #	PWP50	PWP80	PWP100
ENGINE	196CC	212CC	223CC
STARTING SYSTEM	RECOIL	RECOIL	RECOIL
BORE*STROKE	68*54MM	70*55MM	70*58MM
SUCTION PORT DIAMETER	2"	3"	4"
DISCHARGE PORT DIAMETER	2"	3"	4"
TOTAL HEAD LIFT	30M	30M	30M
DISCHARGE CAPACITY	30M ³ /H	55M ³ /H	80M ³ /H
SUCTION HEAD	7M	7M	7M
RATED SPEED	3600RPM	3600RPM	3600RPM
OIL CAPACITY	0.6L	0.6L	0.6L
FUEL TANK CAPACITY	3.6L	3.6L	3.6L
DIMENSIONS (MM)	490 x 405 x 400	520 x 405 x 415	520 x 405 x 415
NET WEIGHT (LBS)	50.6	55.0	78.8
LOADING Q'TY(20GP/40HQ)	320/810	295/750	308/540

POWERPLAY[®] Trash Water Pump

196/223CC Engine

3600RPM

7M Suction Head

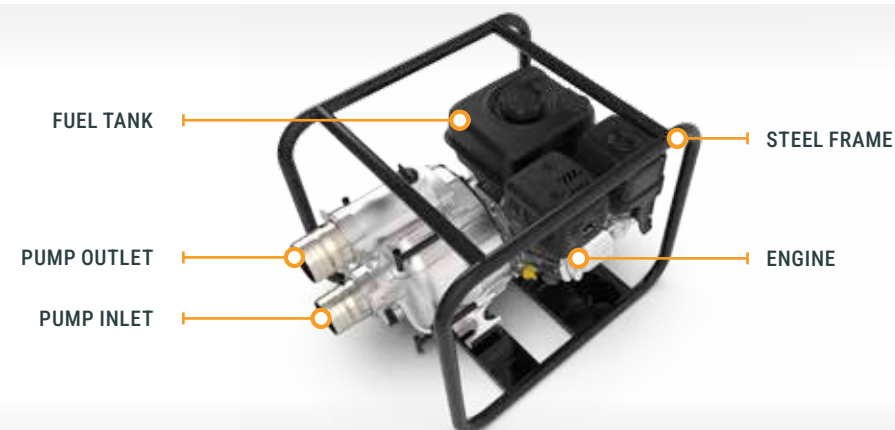
3.6L Fuel Tank

Recoil Starter



30-58M³/H

MODEL #	ENGINE	SUCTION PORT DIAMETER	DISCHARGE PORT DIAMETER	DISCHARGE CAPACITY	BORE*STROKE	START TYPE	EPA/CARB COMPLIANT
PWHP50	196CC	2"	2"	30 M ³ /H	68*54MM	RECOIL	EPA
PWHP80	223CC	3"	3"	58 M ³ /H	70*58MM	RECOIL	EPA



Model Comparaison Chart



MODEL #	PWHP50	PWHP80
ENGINE	196CC	223CC
STARTING SYSTEM	RECOIL	RECOIL
BORE X STROKE	68 X 54MM	70 X 58MM
SUCTION PORT DIAMETER	2"	3"
DISCHARGE PORT DIAMETER	2"	3"
TOTAL HEAD LIFT	30M	26M
DISCHARGE CAPACITY	30M ³ /H	58M ³ /H
SUCTION HEAD	7M	7M
RATED SPEED	3600RPM	3600RPM
OIL CAPACITY	1.0L	1.0L
FUEL TANK CAPACITY	3.6L	3.6L
DIMENSION(MM)	520 x 450 x 450	580 x 450 x 470
NET WEIGHT (LBS)	66.0	79.2
LOADING Q'TY(20GP/40HQ)	280/580	208/520



Pressure Washers Accessories

Accessories // Gas Pressure Washers

PART #	IMAGE	UPC CODE	DESCRIPTION	BULLET POINTS	PRODUCT DIMENSIONS (L" X W" X H")	PRODUCT WEIGHT (LBS)	SHIPPING DIMENSIONS (L" X W" X H")	SHIPPING WEIGHT (LBS)	COUNTRY OF ORIGIN
PL2001		873544002782	5PCS SPRAY NOZZLE KIT	<ul style="list-style-type: none"> • 4000 PSI • 1/4" QC 0°,15°,25°,40°,SOAP • 3.5 ORIFICE 	1.1 x 1.1 x 0.8	0.26	3.9 x 1.8 x 3.3	0.48	CHINA THAILAND
PL2002		873544002799	4000 PSI TURBO NOZZLE	<ul style="list-style-type: none"> • 4000 PSI • 1/4" QC ROTARY PATTERN 	4.2 x 1.5 x 1.5	0.68	6.1 x 2.6 x 2.8	1.0	CHINA THAILAND
PL2003		873544002805	3/8 QC X 3/8 M ADAPTER	<ul style="list-style-type: none"> • 3/8"QC F-M22x1.5 14 M • 3/8" PLUG-M22x1.5 F 	2.2 x 1.1 x 1.1	0.33	3.9 x 1.8 x 3.3	0.55	CHINA THAILAND
PL2004		873544002812	18" LANCE	<ul style="list-style-type: none"> • 18" STAINLESS STEEL LANCE • BRASS CONNECTOR 	18.0 x 1.0 x 1.0	0.79	24.0 x 8.9 x 2.6	1.45	CHINA THAILAND
PL2005		873544002829	1/4" QC PLUG X 1/4" M THREADED ADAPTER	<ul style="list-style-type: none"> • 1/4" QC F-NPT1/4 F • 1/4" PLUG-NPT1/4 M • CONVERTS THREADED CONNECTIONS TO QUICK DISCONNECT 	1.9 x 1.0 x 1.0	0.14	3.9 x 1.8 x 3.3	0.36	CHINA THAILAND
PL2006		873544002836	O-RING KIT	<ul style="list-style-type: none"> • UNIVERSAL FIT • COMPATIBLE WITH MOST PRESSURE WASHER ACCESSORIES • COMPLETE KIT 	1.4 x 1.0 x 1.0	0.01	3.9 x 1.8 x 3.3	0.23	CHINA THAILAND
PL2007		873544002867	25° SPRAY TIP	<ul style="list-style-type: none"> • 1/4" QUICK CONNECT • 25° SPRAY TIP • 3.5 ORIFICE 	1.1 x 1.1 x 0.8	0.06	3.9 x 1.8 x 3.3	0.28	CHINA THAILAND
PL2008		873544002874	3600 PSI SPRAY GUN	<ul style="list-style-type: none"> • MAX PRESSURE: 4000 PSI • MAX FLOW: 6.0 GPM • MAX TEMPERATURE: 140° F • INLET: 22MM X 1.5 Φ14MM MALE TWIST CONNECT • OUTLET: 22MM X 1.5 Φ14MM FEMALE TWIST CONNECT 	21.3 x 6.8 x 1.7	1.82	24.0 x 8.9 x 2.6	2.48	CHINA THAILAND

Accessories // Gas Pressure Washers

PART #	IMAGE	UPC CODE	DESCRIPTION	BULLET POINTS
PL2009		873544002881	MALE M22 X MALE M22 ADAPTER	<ul style="list-style-type: none"> MALE METRIC M22 ϕ14X MALE METRIC M22 ϕ14 ADAPTER
PL2010		873544002898	15° SPRAY TIP	<ul style="list-style-type: none"> 1/4" QUICK CONNECT 15° SPRAY TIP 3.5 ORIFICE
PL2011		873544002904	40° SPRAY TIP	<ul style="list-style-type: none"> 1/4" QUICK CONNECT 40° SPRAY TIP 3.5 ORIFICE
PL2012		873544002928	5000 PSI SPRAY GUN	<ul style="list-style-type: none"> MAX PRESSURE: 5000 PSI MAX FLOW: 8.0 GPM MAX TEMPERATURE: 140° F INLET: M22x1.5 ϕ14 SWIVEL OUTLET: 22MM X 1.5 ϕ14MM FEMALE TWIST CONNECT
PL2013		873544002935	5-IN-1 NOZZLE	<ul style="list-style-type: none"> MAX PRESSURE: 4000 PSI MAX TEMPERATURE: 140° F AVAILABLE SPRAY ANGLES: 0°, 25°, 40°, RINSE, SOAP. 3.5 ORIFICE
PL2014		873544002959	SIPHON HOSE AND FILTER	<ul style="list-style-type: none"> 5' HIGH QUALITY FILTER FLEXIBLE DESIGN
PL2015		873544002966	HOSE QUICK CONNECT KIT	<ul style="list-style-type: none"> DESIGNED TO BRIDGE FEMALE METRIC CONNECTIONS TO 3/8" QUICK DISCONNECTS IDEAL FOR VARIOUS PRESSURE WASHER COMPONENTS
PL2016		873544002980	F X 3/8 QC ADAPTER	<ul style="list-style-type: none"> F X 3/8 QC ADAPTER

PRODUCT DIMENSIONS (L" X W" X H")	PRODUCT WEIGHT (LBS)	SHIPPING DIMENSIONS (L" X W" X H")	SHIPPING WEIGHT (LBS)	COUNTRY OF ORIGIN
1.3 x 1.0 x 1.0	0.13	3.9 x 1.8 x 3.3	0.35	CHINA THAILAND
1.1 x 1.1 x 0.8	0.06	3.9 x 1.8 x 3.3	0.28	CHINA THAILAND
1.1 x 1.1 x 0.8	0.06	3.9 x 1.8 x 3.3	0.28	CHINA THAILAND
22.0 x 8.0 x 1.7	2.72	24.0 x 8.9 x 2.6	3.38	CHINA THAILAND
3.2 x 2.2 x 2.2	0.48	6.1 x 2.6 x 2.8	0.81	CHINA THAILAND
5.0 x 0.32 x 0.32	0.56	5.5 x 2.2 x 6.3	0.89	CHINA THAILAND
3.0 x 1.4 x 1.4	0.45	3.9 x 1.8 x 3.3	0.67	CHINA THAILAND
1.7 x 1.0 x 1.0	0.20	3.9 x 1.8 x 3.3	0.42	CHINA THAILAND

Accessories // Gas Pressure Washers

PART #	IMAGE	UPC CODE	DESCRIPTION	BULLET POINTS
PL2017		873544002997	M22 M X 3/8 NPTM ADAPTER	<ul style="list-style-type: none"> M22 MALE X 3/8 NPTM ADAPTER
PL2018		873544003000	3300 PSI SPRAY GUN	<ul style="list-style-type: none"> MAX PRESSURE: 3600 PSI MAX FLOW: 6.6 GPM MAX TEMPERATURE: 140° F OUTLET: 22MM X 1.5 Φ14MM FEMALE TWIST INLET: 22MM X 1.5 Φ14MM MALE TWIST CONNECT
PL2019		873544003017	QC GARDEN HOSE ADAPTER	<ul style="list-style-type: none"> QUICK CONNECT
PL2020		873544003024	SOAP SPRAY TIP	<ul style="list-style-type: none"> 1/4" QUICK CONNECT SOAP SPRAY TIP 3.5 ORIFICE
PL2021		873544003031	0° SPRAY TIP	<ul style="list-style-type: none"> 1/4" QUICK CONNECT 0° SPRAY TIP 3.5 ORIFICE
PL2022		873544003048	3/8 FEMALE X FEMALE ADAPTER	<ul style="list-style-type: none"> 3/8 FEMALE X M22 X 1.5 Φ14 FEMALE ADAPTER
PL2023		873544003055	MALE X NPT 1/4" FEMALE ADAPTER	<ul style="list-style-type: none"> MALE METRIC X 1/4" FEMALE ADAPTER HEX NUT CAN BE USED WITH TEFLON™ TAPE OR PASTE
PL2024		873544003062	NPT 1/4" FEMALE X FEMALE METRIC ADAPTER	<ul style="list-style-type: none"> CONVERTS NPT 1/4" FEMALE PIPE THREAD X FEMALE METRIC PRESSURE WASHER ADAPTER QUICK CONNECT FITTINGS

PRODUCT DIMENSIONS (L" X W" X H")	PRODUCT WEIGHT (LBS)	SHIPPING DIMENSIONS (L" X W" X H")	SHIPPING WEIGHT (LBS)	COUNTRY OF ORIGIN
1.4 x 1.0 x 1.0	0.13	3.9 x 1.8 x 3.3	0.35	CHINA THAILAND
20.0 x 6.9 x 1.5	1.49	24.0 x 8.9 x 2.6	1.50	CHINA THAILAND
2.0 x 1.2 x 1.2	0.19	3.9 x 1.8 x 3.3	0.41	CHINA THAILAND
1.1 x 1.1 x 0.8	0.04	3.9 x 1.8 x 3.3	0.26	CHINA THAILAND
1.1 x 1.1 x 0.8	0.06	3.9 x 1.8 x 3.3	0.28	CHINA THAILAND
2.1 x 1.4 x 1.4	0.35	3.9 x 1.8 x 3.3	0.57	CHINA THAILAND
1.2 x 1.0 x 1.0	0.10	3.9 x 1.8 x 3.3	0.32	CHINA THAILAND
1.8 x 1.4 x 1.4	0.24	3.9 x 1.8 x 3.3	0.46	CHINA THAILAND

Accessories // Gas Pressure Washers

PART #	IMAGE	UPC CODE	DESCRIPTION	BULLET POINTS
PL2025		873544003079	3/8X3/8 MALE FEMALE ADAPTER	<ul style="list-style-type: none"> • 3/8X3/8 MALE FEMALE ADAPTER
PL2026		873544003086	QC 1/4X1/4 FPT PW ADAPTER	<ul style="list-style-type: none"> • QC 1/4X1/4 FPT PW ADAPTER
PL2027		873544003093	QC 3/8X3/8 FPT PW ADAPTER	<ul style="list-style-type: none"> • QC 3/8X3/8 FPT PW ADAPTER
PL2028		873544003109	FOAM BLASTER	<ul style="list-style-type: none"> • MAX PRESSURE: 4500 PSI • MAX FLOW: 3.5 GPM • 1000ML (34OZ.) • BRASS VALVE • INLET: 1/4" QC • OUTLET: FULLY ADJUSTABLE FAN PATTERN AND FLOW REGULATOR
PL2029		873544003116	WATER BROOM	<ul style="list-style-type: none"> • MAX PRESSURE: 3600 PSI • INLET: 1/4" QC • NOZZLE: 3 PCS • LENGTH: 12"
PL2030		873544003123	6-IN-1 NOZZLE	<ul style="list-style-type: none"> • 6 SPRAY PATTERNS INCLUDING 0°, 15°, 25°, 40°, 65°(SOAP) AND FLUSH OPTIONS • UP TO 3200 PSI
PL2032		873544003130	5PCS NOZZLE KIT WITH HOLDER	<ul style="list-style-type: none"> • FITTING SIZE: 1/4" QC • 0°, 15°, 25°, 40°, 65°(SOAP) • 3.5 ORIFICE
PL2033		873544003147	5000 PSI LANCE	<ul style="list-style-type: none"> • 5000 PSI • DUAL METAL LANCE




PRODUCT DIMENSIONS (L" X W" X H")	PRODUCT WEIGHT (LBS)	SHIPPING DIMENSIONS (L" X W" X H")	SHIPPING WEIGHT (LBS)	COUNTRY OF ORIGIN
2.2 x 1.1 x 1.1	0.33	3.9 x 1.8 x 3.3	0.55	CHINA THAILAND
1.3 x 1.0 x 1.0	0.16	3.9 x 1.8 x 3.3	0.38	CHINA THAILAND
1.5 x 1.1 x 1.1	0.21	3.9 x 1.8 x 3.3	0.43	CHINA THAILAND
10.2 x 7.0 x 4.6	1.12	13.2 x 5.3 x 7.5	1.67	CHINA THAILAND
12.8 x 4.8 x 4.8	2.41	13.2 x 5.3 x 7.5	2.96	THAILAND
3.2 x 2.2 x 2.2	0.49	6.1 x 2.6 x 2.8	0.82	CHINA THAILAND
5.8 x 1.7 x 1.9	0.26	6.1 x 2.6 x 2.8	0.59	CHINA THAILAND
21.7 x 7.1 x 2.3	1.63	24.0 x 8.9 x 2.6	2.29	CHINA THAILAND

Accessories // Gas Pressure Washers

PART #	IMAGE	UPC CODE	DESCRIPTION	BULLET POINTS
PL2034		873544003154	GUTTER CLEANER	<ul style="list-style-type: none"> • INLET: 1/4" M QC • OUTLET: 1/4" F QC
PL2035		873544003161	3-ANGLE QC ADAPTER	<ul style="list-style-type: none"> • MAX PRESSURE: 4500 PSI • MAX TEMPERATURE: 140° F • INLET: QC 1/4" MALE • OUTLET: QC 1/4" FEMALE
PL2036		873544003178	QUICK CONNECT KIT	<ul style="list-style-type: none"> • 2X M M22X1.5-14-F3/8QC • 1 SET GARDEN QC • 2X F M22X1.5-14-M 3/8 QC
PL2037		873544003185	4000 PSI LANCE OVERMOULDED GRIP	<ul style="list-style-type: none"> • MAX PRESSURE: 4000 PSI • MAX TEMPERATURE: 140° F • INLET: NPT 1/4" MALE • OUTLET: NPT 1/4" MALE
PL2038		873544003192	5000 PSI SPRAY GUN	<ul style="list-style-type: none"> • MAX PRESSURE: 5000 PSI • MAX FLOW: 8.0 GPM • MAX TEMPERATURE: 140° F • INLET: 22MM X 14MM MALE TWIST CONNECT • OUTLET: 22MM X 14MM FEMALE TWIST CONNECT
PL2039		873544003208	3600 PSI STUBBY SPRAY GUN	<ul style="list-style-type: none"> • MAX PRESSURE: 3600 PSI • MAX FLOW: 6.5 GPM • MAX TEMPERATURE: 140° F • INLET: 22MM X 14MM MALE TWIST CONNECT • OUTLET: NPT 1/4" FEMALE
PL2040		873544003215	1/4" X 25' HIGH PRESSURE HOSE	<ul style="list-style-type: none"> • 1/4" X 25' M22 FITTINGS • WORKING PRESSURE: 3100 PSI
PL2041		873544003222	1/4" X 50' HIGH PRESSURE HOSE	<ul style="list-style-type: none"> • 1/4" X 50' M22 FITTINGS • WORKING PRESSURE: 3100 PSI

PRODUCT DIMENSIONS (L" X W" X H")	PRODUCT WEIGHT (LBS)	SHIPPING DIMENSIONS (L" X W" X H")	SHIPPING WEIGHT (LBS)	COUNTRY OF ORIGIN
15.2 x 7.2 x 1.5	1.04	24.0 x 8.9 x 2.6	1.7	CHINA THAILAND
1.9 x 3.1 x 1.4	0.37	3.9 x 1.8 x 3.3	0.59	CHINA
5.1 x 5.8 x 1.8	1.29	5.5 x 2.2 x 6.3	1.62	CHINA
24.0 x 1.4 x 1.4	0.84	24.0 x 8.9 x 2.6	1.50	CHINA
21.5 x 6.9 x 1.5	1.62	24.0 x 8.9 x 2.6	2.28	CHINA
6.9 x 8.4 x 1.4	1.06	10.0 x 2.2 x 10.2	1.72	CHINA
300 x 1.3 x 1.3 (12.7 x 12.7 x 2.0)	5.50	15.6 x 6.1 x 15.8	6.16	THAILAND
600 x 1.0 x 1.0 (12.7 x 12.7 x 3.4)	8.80	15.6 x 6.1 x 15.8	9.46	THAILAND

Accessories // Gas Pressure Washers

PART #	IMAGE	UPC CODE	DESCRIPTION	BULLET POINTS
PL2042		873544003239	3/8" X 50' QC HIGH PRESSURE HOSE	<ul style="list-style-type: none"> • 3/8" X 50' COMMERCIAL WITH QUICK CONNECT • WORKING PRESSURE: 4000 PSI
PL2043		873544003246	FOAM BLASTER	<ul style="list-style-type: none"> • MAX PRESSURE: 4500 PSI • MAX FLOW: 3.5 GPM • 1000ML (34OZ.) • BRASS VALVE • INLET: 1/4" QC • OUTLET: FULLY ADJUSTABLE FAN PATTERN AND FLOW REGULATOR
PL2044		873544003253	15" SURFACE CLEANER	<ul style="list-style-type: none"> • INLET: 1/4" QC • MAX PRESSURE: 3300 PSI • HOUSING MATERIAL: PLASTIC

PRODUCT DIMENSIONS (L" X W" X H")	PRODUCT WEIGHT (LBS)	SHIPPING DIMENSIONS (L" X W" X H")	SHIPPING WEIGHT (LBS)	COUNTRY OF ORIGIN
600 x 1.0 x 1.0 (12.7 x 12.7 x 3.4)	9.9	15.6 x 6.1 x 15.8	10.56	THAILAND
10.2 x 7.0 x 4.6	1.28	13.2 x 5.3 x 7.5	1.83	THAILAND
15.0 x 15.0 x 5.1	2.95	15.6 x 6.1 x 15.8	3.61	THAILAND

Accessories // Electric Pressure Washers

PART #	IMAGE	UPC CODE	DESCRIPTION	BULLET POINTS
PWXA001		873544004915	1/4" QUICK CONNECT PLUG	<ul style="list-style-type: none"> • ONE END CONNECTS INTO 1/4" QC • ONE END SCREWS INTO 1/4" NPT MALE FITTING • MAX PRESSURE: 4000 PSI • MAX TEMPERATURE: 300° F
PWXA008		873544004984	TRIGGER GUN WITH M22 FITTING	<ul style="list-style-type: none"> • MAX PRESSURE: 3300 PSI • MAX FLOW: 8.0 GPM • MAX TEMPERATURE: 140° F • INLET: 22MM X 15MM • MALE TWIST CONNECT • OUTLET: 22MM X 14MM FEMALE TWIST CONNECT
PWXA012		873544005035	18" ZINC PLATED LANCE WITH QC FITTINGS	<ul style="list-style-type: none"> • MAX PRESSURE: 2610 PSI • MAX FLOW: 10.5 GPM • MAX TEMPERATURE: 302° F • INLET: 22MM X 14MM • OUTLET: 1/4" FEMALE QC
PWXA013-B		873544000122	15' FLEXWASH@PRO HOSE WITH M22 FITTING	<ul style="list-style-type: none"> • MAX TEMPERATURE: 104° F • MAX PRESSURE: 2610 PSI • NYLON BRAIDED HOSE WITH NON MARKING CLEAR JACKET TERMINATED WITH FEMALE M22 X 15MM EZ SCREW ON CONNECTORS
PWXA022		873544000344	HIGH PRESSURE 4 PACK SPRAY NOZZLE KIT	<ul style="list-style-type: none"> • MAX PRESSURE: 2500 PSI • MAX FLOW: 2.0 GPM • 1/4" QC PLUG INLET
PWXA032		873544000405	HIGH PRESSURE TURBO NOZZLE SIZE 2.0	<ul style="list-style-type: none"> • MAX PRESSURE: 2100 PSI • MAX FLOW: 2.0 GPM • MAX TEMPERATURE: 194° F • 1/4" QC PLUG INLET
PWXA038		873544005349	12" GUTTER CLEANER LANCE EXTENSION	<ul style="list-style-type: none"> • 1/4" QC PLUG INLET • OUTLET: 1/4" FEMALE QC • FITS ANY LANCE WITH 1/4" QC FITTING
PWXA055		873544005028	M22 X 15 TO M22 X 15 HOSE CONNECTOR	<ul style="list-style-type: none"> • USE TO ADD AN EXTENSION HOSE TO ELECTRIC PRESSURE WASHER USING M22 PUMP AND GUN CONNECTIONS • 22MM X 15MM MALE TWIST CONNECT BOTH ENDS • MAX TEMPERATURE: 300° F

PRODUCT DIMENSIONS (L" X W" X H")	PRODUCT WEIGHT (LBS)	SHIPPING DIMENSIONS (L" X W" X H")	SHIPPING WEIGHT (LBS)	COUNTRY OF ORIGIN
1.6 x 0.6 x 0.6	0.05	5.6 x 3.6 x 1.8	0.20	CHINA
17.8 x 6 x 1.8	0.95	20.1 x 9.5 x 2.4	1.60	CHINA
18 x 1 x 1	0.60	20.1 x 4.4 x 4.4	1.25	CHINA
180 x 1.3 x 1.3	1.35	14 x 3 x 14	2.10	CHINA
1.2 x 0.8 x 1.2	0.20	5.5 x 3.5 x 1.1	0.3	CHINA
4.1 x 1.4 x 1.4	0.30	7.3 x 4.6 x 2	0.75	CHINA
8.7 x 5.9 x 1	0.50	11.3 x 7.1 x 1.2	1.00	CHINA
1.4 x 1 x 1	0.10	5.5 x 3.5 x 1.1	0.20	CHINA

Accessories // Electric Pressure Washers

PART #	IMAGE	UPC CODE	DESCRIPTION	BULLET POINTS
PWXA075		873544006599	SOFT BRISTLE FIXED BRUSH	<ul style="list-style-type: none"> • FEATHERED BRISTLES • USED WITH LOW PRESSURE SOAP APPLICATIONS • ATTACHES EASILY TO YOUR LANCE WITH A CLICK FAST COUPLER MALE BAYONET • M22 X 14MM INLET
PWXA083		873544000382	GEAR DRIVEN ROTARY BRUSH WITH ADAPTER	<ul style="list-style-type: none"> • ROTARY BRUSH SAVES 60-80% MORE TIME THAN A STANDARD WAND ALONE WATER STREAM POWERS THE ROTARY ACTION • IMPROVED CLEANING PERFORMANCE LIFTS DIRT & GRIME • M22 X 14MM INLET
PWXA089		873544006520	11" SURFACE CLEANER	<ul style="list-style-type: none"> • MAX PRESSURE: 2100 PSI • MAX FLOW: 2.5 GPM • 11" DIAMETER WITH 2 ROTARY JETS • QUICK CONNECT FITTING
PWXA096		873544001389	O-RING KIT	<ul style="list-style-type: none"> • COMPATIBLE WITH MOST PRESSURE WASHER ACCESSORIES • COMPLETE KIT
PWXA103		873544001440	TRIGGER GUN WITH QC FITTING	<ul style="list-style-type: none"> • MAX PRESSURE: 2320 PSI • MAX FLOW: 8.0 GPM • MAX TEMPERATURE: 140° F • INLET: SPYDER QC CONNECTION • OUTLET: SPYDER BAYONET CONNECTION
PWXA104		873544001457	LANCE	<ul style="list-style-type: none"> • MAX PRESSURE: 2350 PSI • MAX FLOW: 2.0 GPM • INLET: SPYDER MALE BAYONET INLET
PWXA107		873544001280	500 ML (17 OZ.) BOTTLE WITH QC FITTING	<ul style="list-style-type: none"> • HIGH PRESSURE FOAM CANNON WITH QC FITTING • 500 ML (17 OZ.) BOTTLE WITH ADJUSTABLE PRESSURE • MAX PRESSURE: 3000 PSI • MAX FLOW: 2.2 GPM • QUICK CONNECT FITTING
PWXA110		873544001532	ADAPTIVEWASH™ SPRAY NOZZLE	<ul style="list-style-type: none"> • MAX PRESSURE: 2100 PSI • MAX FLOW: 2.0 GPM • MAX TEMPERATURE: 194° F • 1/4" QC PLUG INLET

PRODUCT DIMENSIONS (L" X W" X H")	PRODUCT WEIGHT (LBS)	SHIPPING DIMENSIONS (L" X W" X H")	SHIPPING WEIGHT (LBS)	COUNTRY OF ORIGIN
16.2 x 2.4 x 2.4	0.55	16.6 x 4.6 x 2.6	1.25	CHINA
18.8 x 5.6 x 3.9	1.20	19.1 x 6.2 x 4.4	1.30	CHINA
12.8 x 10.7 x 5.2	2.00	11.5 x 11.5 x 5.6	2.55	CHINA
0 x 0 x 0	0.01	4 x 11 x 0.1	0.01	CHINA
18.6 x 6.7 x 1.4	0.50	20.1 x 9.5 x 2.4	1.50	CHINA
18.4 x 1.3 x 1.3	0.45	20.1 x 4.4 x 4.4	0.50	CHINA
2.6 x 5.2 x 3.6	0.50	6.9 x 5.7 x 3.6	1.00	CHINA
5 x 1.4 x 1.4	0.30	7.3 x 4.6 x 2	0.75	CHINA

Accessories // Electric Pressure Washers

PART #	IMAGE	UPC CODE	DESCRIPTION	BULLET POINTS
PWXA111		873544001549	MINI SERIES TURBO NOZZLE	<ul style="list-style-type: none"> • MAX PRESSURE: 2100 PSI • MAX FLOW: 2.0 GPM • MAX TEMPERATURE: 194° F • 1/4" QC PLUG INLET
PWXA112		873544001686	LANCE	<ul style="list-style-type: none"> • MAX PRESSURE: 2350 PSI • MAX FLOW: 2.0 GPM • MALE BAYONET/M22 X 14MM INLET
PWXA115-B		873544001730	25' FLEXWASH@PRO HOSE WITH M22 FITTING	<ul style="list-style-type: none"> • MAX TEMPERATURE: 104° F • MAX PRESSURE: 2610 PSI • NYLON BRAIDED HOSE WITH NON MARKING BLACK JACKET TERMINATED WITH FEMALE M22 X 15MM EZ SCREW ON CONNECTORS
PWXA116		873544002270	VEHICLE WASH DETERGENT	<ul style="list-style-type: none"> • 1 GALLON BOTTLE WITH SCREW ON CAP • PLACE DETERGENT SUCTION TUBE DIRECTLY INTO CONTAINER OF VEHICLE WASH OR FILL THE PRESSURE WASHER'S SOAP TANK
PWXA117		873544002287	MULTI PURPOSE CONCENTRATE	<ul style="list-style-type: none"> • 1 GALLON BOTTLE WITH SCREW ON CAP • PLACE DETERGENT SUCTION TUBE DIRECTLY INTO CONTAINER OF VEHICLE WASH OR FILL THE PRESSURE WASHER'S SOAP TANK
PWXA118		873544002355	HEAVY DUTY SNOW FOAM DETERGENT	<ul style="list-style-type: none"> • 1 GALLON BOTTLE WITH SCREW ON CAP • POUR HEAVY DUTY SNOW FOAM INTO FOAM CANNON
PWXA144		873544002621	1L (34OZ.) BOTTLE WITH QC FITTING	<ul style="list-style-type: none"> • 1L (34 OZ.) BOTTLE WITH ADJUSTABLE PRESSURE • MAX PRESSURE: 3000 PSI • MAX FLOW: 2.2 GPM • QUICK CONNECT FITTING
PWXA148		873544001044	TRIGGER GUN WITH M22 FITTING	<ul style="list-style-type: none"> • MAX PRESSURE: 3300 PSI • MAX FLOW: 8.0 GPM • MAX TEMP: 140° F • INLET: 22MM X 15MM MALE TWIST CONNECT • OUTLET: SPYDER FEMALE BAYONET FITTING"

PRODUCT DIMENSIONS (L" X W" X H")	PRODUCT WEIGHT (LBS)	SHIPPING DIMENSIONS (L" X W" X H")	SHIPPING WEIGHT (LBS)	COUNTRY OF ORIGIN
4.4 x 1.4 x 1.4	0.30	7.3 x 4.6 x 2	0.75	CHINA
14.6 x 1.4 x 1.4	0.30	20.1 x 4.4 x 4.4	0.50	CHINA
300 x 1.3 x 1.3	1.95	14 x 3 x 14	2.65	CHINA
12.1 x 6 x 6	8.90	12.5 x 6.2 x 6.2	9.55	CANADA
12.1 x 6 x 6	8.90	12.5 x 6.2 x 6.2	9.55	CANADA
12.1 x 6 x 6	8.90	12.5 x 6.2 x 6.2	9.55	CANADA
7.5 x 5.6 x 3.6	0.50	7.9 x 6.3 x 3.7	1.00	CHINA
18.8 x 6.7 x 1.3	1.00	20.1 x 9.5 x 2.4	1.50	CHINA

Accessories // Electric Pressure Washers

PART #	IMAGE	UPC CODE	DESCRIPTION	BULLET POINTS
PWXA149		873544001051	LANCE	<ul style="list-style-type: none"> • MAX PRESSURE: 2350 PSI • MAX FLOW: 2.0 GPM • MALE BAYONET/M22 X 14MM INLET
PWXA155		873544000207	25' FLEXWASH@PRO HOSE WITH M22 FITTING	<ul style="list-style-type: none"> • MAX TEMPERATURE: 140° F • MAX PRESSURE: 2610 PSI • STEEL BRAIDED HOSE WITH NON MARKING TAPED JACKET TERMINATED • FEMALE M22 X 15MM EZ SCREW ON CONNECTORS
PWXA169		873544003383	25' FLEXWASH@ PRO HOSE WITH M22 FITTING	<ul style="list-style-type: none"> • MAX TEMPERATURE: 104° F • MAX PRESSURE: 2610 PSI • NYLON BRAIDED HOSE WITH NON MARKING BLACK JACKET • FEMALE M22 X 15MM EZ SCREW ON CONNECTOR 1 END ONLY
PWXA173		873544003420	1000 ML FOAM CANNON WITH QC TIP	<ul style="list-style-type: none"> • 1L (34 OZ.) BOTTLE WITH ADJUSTABLE PRESSURE • MAX PRESSURE: 3000 PSI • MAX FLOW: 2.2 GPM • QUICK CONNECT FITTING
PWXA181		873544003550	25' FLEXWASH@ PRO HOSE WITH M22 FITTING	<ul style="list-style-type: none"> • MAX TEMPERATURE: 104° F • MAX PRESSURE: 2610 PSI • NYLON BRAIDED HOSE WITH NON MARKING BLACK JACKET • FEMALE M22 X 15MM EZ SCREW ON CONNECTOR 1 END AND QC END
PWXA186		873544003604	TURBO NOZZLE DTV	<ul style="list-style-type: none"> • MAX PRESSURE: 2100 PSI • MAX FLOW: 2.0 GPM • MAX TEMPERATURE: 194° F • 1/4" QC PLUG INLET
PWXA187		873544003611	PRO SPRAY GUN WITH M22 FITTING	<ul style="list-style-type: none"> • MAX PRESSURE: 3300 PSI • MAX FLOW: 8.0 GPM • MAX TEMPERATURE: 140° F • INLET: 22MM X 15MM MALE TWIST CONNECT • OUTLET: 22MM X 14MM FEMALE TWIST CONNECT
PWXA188		873544003628	STEEL LANCE WITH QC CONNECTOR	<ul style="list-style-type: none"> • MAX PRESSURE: 2610 PSI • MAX FLOW: 10.5 GPM • MAX TEMPERATURE: 302° F • INLET: 22MM X 14MM • OUTLET: 1/4" FEMALE QC


PRODUCT DIMENSIONS (L" X W" X H")	PRODUCT WEIGHT (LBS)	SHIPPING DIMENSIONS (L" X W" X H")	SHIPPING WEIGHT (LBS)	COUNTRY OF ORIGIN
17.9 x 1.2 x 1.2	0.45	20.1 x 4.4 x 4.4	0.50	CHINA
300 x 1.3 x 1.3	3.40	9.1 x 13 x 4	3.40	CHINA
300 x 1.3 x 1.3	1.75	14 x 3 x 14	2.65	CHINA
8.9 x 5.4 x 2.5	0.45	7.9 x 6.3 x 3.7	1	CHINA
300 x 1.3 x 1.3	1.75	14 x 3 x 14	2.65	CHINA
4.1 x 1.4 x 1.4	0.25	7.3 x 4.6 x 2	1.00	CHINA
18.4 x 6.9 x 1.6	0.90	20.1 x 9.5 x 2.4	1.60	CHINA
16 x 1 x 1	0.30	20.1 x 4.4 x 4.4	1.25	CHINA

Accessories // Electric Pressure Washers

PART #	IMAGE	UPC CODE	DESCRIPTION	BULLET POINTS
PWXA193		873544003673	1000 ML FOAM CANNON WITH QC TIP	<ul style="list-style-type: none"> • 1L (34 OZ.) BOTTLE WITH ADJUSTABLE PRESSURE • MAX PRESSURE: 3000 PSI • MAX FLOW: 2.2 GPM • QUICK CONNECT FITTING
PWXA201		873544004014	40' FLEXWASH@PRO HOSE WITH M22 FITTING	<ul style="list-style-type: none"> • MAX TEMPERATURE: 140° F • MAX PRESSURE: 2900 PSI • NYLON BRAIDED HOSE WITH NON MARKING BLACK JACKET • TERMINATED WITH FEMALE M22 X 15MM EZ SCREW ON CONNECTORS
PWXA202		873544004021	STUBBY TRIGGER GUN	<ul style="list-style-type: none"> • MAX PRESSURE: 3300 PSI • MAX FLOW: 8.0 GPM • MAX TEMPERATURE: 140° F • INLET: 22MM X 15MM MALE TWIST CONNECT • OUTLET: 1/4" FEMALE QC
PWXA203		873544004038	ANGLED LANCE	<ul style="list-style-type: none"> • MAX PRESSURE: 2610 PSI • MAX FLOW: 10.5 GPM • MAX TEMPERATURE: 302° F • INLET: 1/4" MALE QC • OUTLET: 1/4" FEMALE QC
PWXA204		873544004045	15° HIGH PRESSURE SPRAY TIP WITH DOME	<ul style="list-style-type: none"> • MAX PRESSURE: 1000 PSI • MAX FLOW: 2.0 GPM • MAX TEMPERATURE: 140° F • INLET: 1/4" MALE QC • PROTECTIVE RUBBER DOME
PWXA205		873544004052	40° HIGH PRESSURE SPRAY TIP WITH DOME	<ul style="list-style-type: none"> • MAX PRESSURE: 1000 PSI • MAX FLOW: 2.0 GPM • MAX TEMPERATURE: 140° F • INLET: 1/4" MALE QC • PROTECTIVE RUBBER DOME
PWXA209		873544004090	HIGH PRESSURE FOAM CANNON 2.0GPM	<ul style="list-style-type: none"> • 1L (34 OZ.) BOTTLE WITH ADJUSTABLE PRESSURE • MAX PRESSURE: 3000 PSI • MAX FLOW: 2.0 GPM • INLET: 1/4" MALE QC
PWXA213		873544004175	HIGH PRESSURE 4 PACK SPRAY NOZZLE KIT	<ul style="list-style-type: none"> • MAX PRESSURE: 2500 PSI • MAX FLOW: 2.0 GPM • 0°, 15°, 25°, 40° NOZZLES • 1/4" QC PLUG INLET







PRODUCT DIMENSIONS (L" X W" X H")	PRODUCT WEIGHT (LBS)	SHIPPING DIMENSIONS (L" X W" X H")	SHIPPING WEIGHT (LBS)	COUNTRY OF ORIGIN
9.2 x 5 x 2.8	0.50	7.9 x 6.3 x 3.7	1.00	CHINA
480 x 1.3 x 1.3	2.35	14 x 3 x 14	3.15	CHINA
10.3 x 7.1 x 1.4	0.65	TBD x TBD x TBD	TBD	CHINA
16 x 2.2 x 1	0.80	TBD x TBD x TBD	TBD	CHINA
2.76 x 2.39 x 1.3	0.10	5.5 x 3.5 x 1.1	0.30	CHINA
2.76 x 2.39 x 1.3	0.10	5.5 x 3.5 x 1.1	0.3	CHINA
6.5 x 4.8 x 3.28	0.30	6.9 x 5.7 x 3.6	1.00	CHINA
1.2 x 0.8 x 1.2	0.20	5.5 x 3.5 x 1.1	0.3	CHINA

Accessories // Electric Pressure Washers

PART #	IMAGE	UPC CODE	DESCRIPTION	BULLET POINTS
PWXA214		873544004182	15° & 40° HIGH PRESSURE SPRAY TIPS WITH DOME KIT	<ul style="list-style-type: none"> • MAX PRESSURE: 1000 PSI • MAX FLOW: 2.0 GPM • 15° & 40° NOZZLES • INLET: 1/4-INCH MALE QC • PROTECTIVE RUBBER DOME

PRODUCT DIMENSIONS (L" X W" X H")	PRODUCT WEIGHT (LBS)	SHIPPING DIMENSIONS (L" X W" X H")	SHIPPING WEIGHT (LBS)	COUNTRY OF ORIGIN
2.76 x 2.39 x 1.3	0.20	7.3 x 4.6 x 2	0.40	CHINA

Accessories // OEM Parts

MODEL #	IMAGE	SERIES	HOSE	NOZZLE/ NOZZLE KIT	TURBO NOZZLE
SPYM1700V/VC		SPYDER MINI	15' FLEXWASH® HOSE WITH QC PWXA098-W	ADAPTIVEWASH™ SPRAY NOZZLE PWXA110	MINI SERIES TURBO NOZZLE PWXA111
SPYM1900V/VC		SPYDER MINI	15' FLEXWASH® PRO WHITE HOSE WITH M22 FITTINGS PWXA013-W	HIGH PRESSURE 4-PACK SPRAY NOZZLE KIT (0° RED, 15° YELLOW, 25° GREEN, 40° WHITE) PWXA022	TURBO NOZZLE PWXA032
SPY2100X/XC		SPYDER PULSE	25' FLEXWASH® PRO HOSE WITH M22 FITTINGS PWXA115-B	HIGH PRESSURE 4-PACK SPRAY NOZZLE KIT (0° RED, 15° YELLOW, 25° GREEN, 40° WHITE) PWXA213	TURBO NOZZLE PWXA032
SPYD2050Y/YC		SPYDER DROPTOP	25' FLEXWASH® PRO HOSE WITH M22 FITTINGS PWXA181	HIGH PRESSURE 4-PACK SPRAY NOZZLE KIT (0° RED, 15° YELLOW, 25° GREEN, 40° WHITE) PWXA213	TURBO NOZZLE PWXA186
SPYD2200Y/YC		SPYDER DROPTOP	25' FLEXWASH® PRO HOSE WITH M22 FITTINGS PWXA181	HIGH PRESSURE 4-PACK SPRAY NOZZLE KIT (0° RED, 15° YELLOW, 25° GREEN, 40° WHITE) PWXA213	TURBO NOZZLE PWXA186
SPYD2500Y/YC		SPYDER DROPTOP	25' FLEXWASH® PRO HOSE WITH M22 FITTINGS PWXA181	HIGH PRESSURE 4-PACK SPRAY NOZZLE KIT (0° RED, 15° YELLOW, 25° GREEN, 40° WHITE) PWXA213	TURBO NOZZLE PWXA186

FITTING	SPRAY GUN	LANCE	FOAM CANNON	PACKAGING DIMENSIONS (L" X W" X H")	BOX WEIGHT (LBS)
QC	SPRAY GUN WITH QC PWXA103	ADAPTIVEWASH™ SPRAY WAND MINI PWXA112	500 ML FOAM CANNON WITH BAYONET FITTING PWXA076	12 X 11.25 X 18	19
M22 x 15MM	HIGH PRESSURE SPRAY GUN PWXA148	ADAPTIVEWASH™ LANCE WITH QC ADAPTER PWXA149	500 ML FOAM CANNON WITH QC TIP PWXA107	12 X 11.25 X 18	23.25
M22 x 15MM	SPRAY GUN WITH M22 FITTING PWXA008-B	STEEL LANCE WITH QC PWXA012	1000 ML FOAM CANNON WITH QC PWXA144	12.25 X 11.25 X 19.75	25.85
M22 x 15MM	PRO SPRAY GUN WITH M22 FITTING PWXA187	STEEL LANCE WITH QC CONNECTOR PWXA188	1000 ML FOAM CANNON WITH QC TIP PWXA193	13.25 X 14.5 X 20.25	24.0
M22 x 15MM	PRO SPRAY GUN WITH M22 FITTING PWXA187	STEEL LANCE WITH QC CONNECTOR PWXA188	1000 ML FOAM CANNON WITH QC TIP PWXA193	13.25 X 14.5 X 20.25	26.0
M22 x 15MM	PRO SPRAY GUN WITH M22 FITTING PWXA187	STEEL LANCE WITH QC CONNECTOR PWXA188	1000 ML FOAM CANNON WITH QC TIP PWXA193	13.25 X 14.5 X 20.25	28.0

Accessories // OEM Parts

MODEL #	IMAGE	SERIES	HOSE	NOZZLE/ NOZZLE KIT	TURBO NOZZLE
SPY2300XP/XPC		SPYDER PRO	25' FLEXWASH® PRO HOSE WITH M22 FITTINGS PWXA115-B	HIGH PRESSURE 4-PACK SPRAY NOZZLE KIT (0° RED, 15° YELLOW, 25° GREEN, 40° WHITE) PWXA022	TURBO NOZZLE PWXA032
SPY2700XP/XPC		SPYDER PRO	25' FLEXWASH® PRO STEEL REINFORCED HOSE WITH M22 FITTINGS PWXA155	HIGH PRESSURE 4-PACK SPRAY NOZZLE KIT (0° RED, 15° YELLOW, 25° GREEN, 40° WHITE) PWXA022	TURBO NOZZLE PWXA032
PL1000Y/YC		HIGH FLOW	HIGH-PRESSURE HOSE PWXA201	SPRAY NOZZLE WITH PROTECTION DOME PWXA204 (15°) PWXA205 (40°) PWXA214 (KIT)	-
SPY3000G		SPYDER PRO GAS SERIES	1/4" X 30' HIGH PRESSURE HOSE M22 COUPLERS PLXXXX	5PCS SPRAY NOZZLE KIT (0°, 15°, 25°, 40°, SOAP) PL2001	4000 PSI TURBO NOZZLE PL2002
SPY3400G		SPYDER PRO GAS SERIES	1/4" X 30' HIGH PRESSURE HOSE M22 COUPLERS PLXXXX	5PCS SPRAY NOZZLE KIT (0°, 15°, 25°, 40°, SOAP) PL2001	4000 PSI TURBO NOZZLE PL2002
SPY3800G		SPYDER PRO GAS SERIES	1 5/16" X 35' HIGH PRESSURE HOSE QUICK CONNECT PLXXXX	5PCS SPRAY NOZZLE KIT (0°, 15°, 25°, 40°, SOAP) PL2001	4000 PSI TURBO NOZZLE PL2002

FITTING	SPRAY GUN	LANCE	FOAM CANNON	PACKAGING DIMENSIONS (L" X W" X H")	BOX WEIGHT (LBS)
M22 x 15MM	SPRAY GUN WITH M22 FITTING PWXA008-B	STEEL LANCE WITH QC PWXA012	1000 ML FOAM CANNON WITH QC PWXA144	15.5 X 15 X 20	44.0
M22 x 15MM	SPRAY GUN WITH M22 FITTING PWXA008-B	STEEL LANCE WITH QC PWXA012	1000 ML FOAM CANNON WITH QC PWXA144	15.5 X 15 X 20	46.0
M22 x 15MM	SPRAY GUN PWXA202	ANGLED SPRAY WAND PWXA203	HIGH-PRESSURE FOAM CANNON PWXA209	15 X 11.5 X 10.25	19.5
M22 COUPLERS	3400 PSI SPRAY GUN FRONT ENTRY PLXXXX	20" STAINLESS STEEL LANCE PLXXXX	1000 ML FOAM BLASTER PL2028	TBD	TBD
M22 COUPLERS	3400 PSI SPRAY GUN FRONT ENTRY PLXXXX	20" STAINLESS STEEL LANCE PLXXXX	1000 ML FOAM BLASTER PL2028	TBD	TBD
3/8" QUICK CONNECT	3600 PSI SPRAY GUN REAR ENTRY PLXXXX	20" STAINLESS STEEL LANCE PLXXXX	1000 ML FOAM BLASTER PL2028	TBD	TBD



POWERPLAYPRO.COM