



POWER WASHERS FOR TODAY'S DIRT WARRIORS.

# SPYDER

## Electric Pressure Washer Assembly, Care and Use Instructions

SPY1500R

Read carefully. Retain these instructions and attach receipt to manual for future reference.



**IMPORTANT: NEVER** use an extension cord with this unit. It may cause damage to the motor and VOID the warranty.



**ALWAYS WEAR EYE PROTECTION TO PREVENT INJURY TO EYES WHEN OPERATING THE POWER WASHER.**

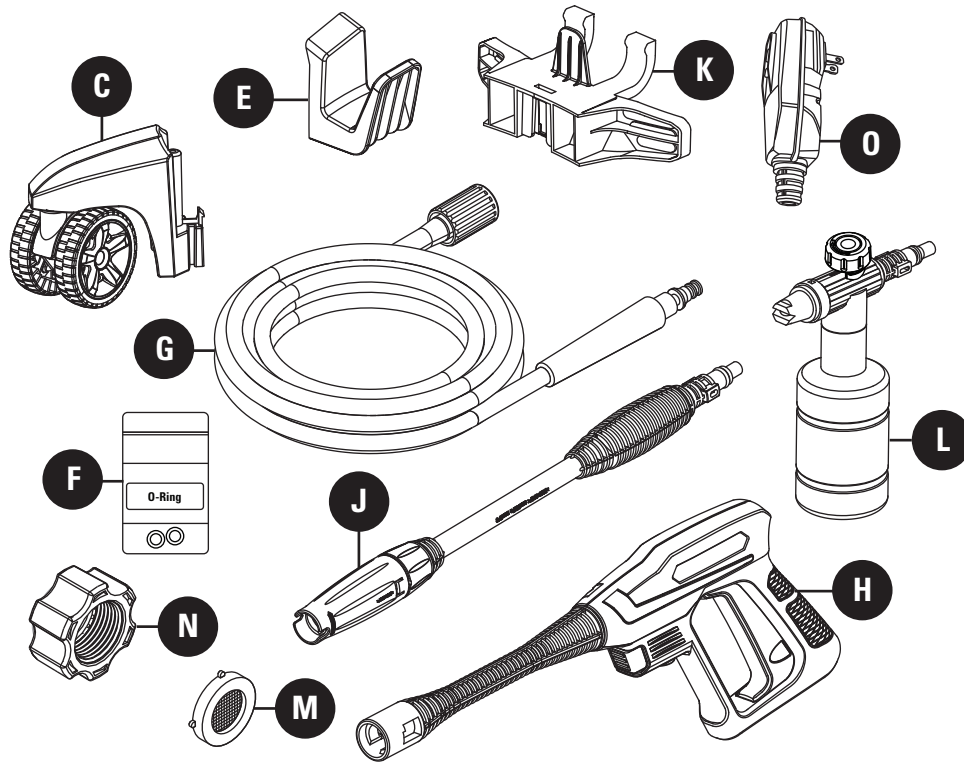
### Questions, problems, missing parts?

Before returning to your retailer, call our customer service department at 1-855-770-7529, 9:00 a.m. - 5:00 p.m., EST, Monday - Friday. [www.powerplaypro.com](http://www.powerplaypro.com)

SPY1500R-14

# Replacement Parts

For replacement parts, call our customer service department at 1-855-770-7529. 9:00 a.m. - 5:00 p.m., EST, Monday - Friday or order online at [www.powerplaypro.com](http://www.powerplaypro.com).



Part	Description	Part #
C	Caster	PWXA105
E	Hose Holder	PWXA094
F	O-Ring Replacement Kit	PWXA096
G	Hose	PWXA098
H	Spray Gun	PWXA103
J	Lance	PWXA104

Part	Description	Part #
K	Detergent Bottle Bracket	PWXA095
L	Detergent Bottle	PWXA108
M	Water Filter	PWXA091
N	Garden Hose Adapter	PWXA090
O	GFCI Assembly	PWXA092